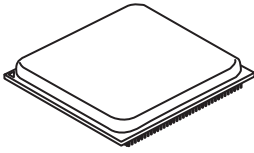


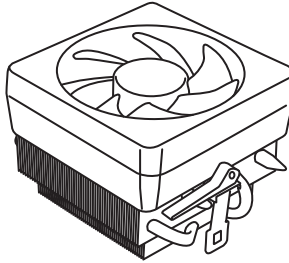
# Quick Start

Thank you for purchasing the MSI® **B450M MORTAR** motherboard. This Quick Start section provides demonstration diagrams about how to install your computer. Some of the installations also provide video demonstrations. Please link to the URL to watch it with the web browser on your phone or tablet. You may have even link to the URL by scanning the QR code.

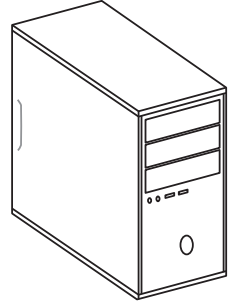
## Preparing Tools and Components



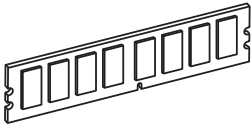
AMD® AM4 CPU



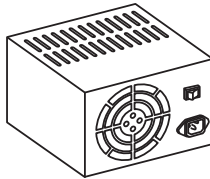
CPU Fan



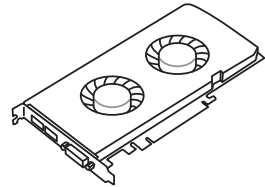
Chassis



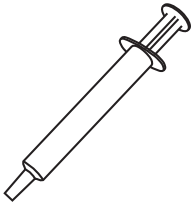
DDR4 Memory



Power Supply Unit



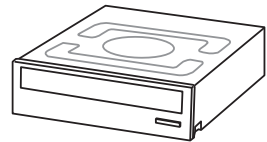
Graphics Card



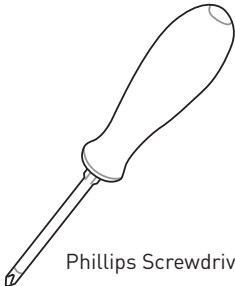
Thermal Paste



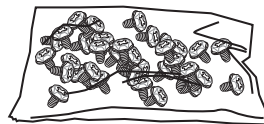
SATA Hard Disk Drive



SATA DVD Drive



Phillips Screwdriver

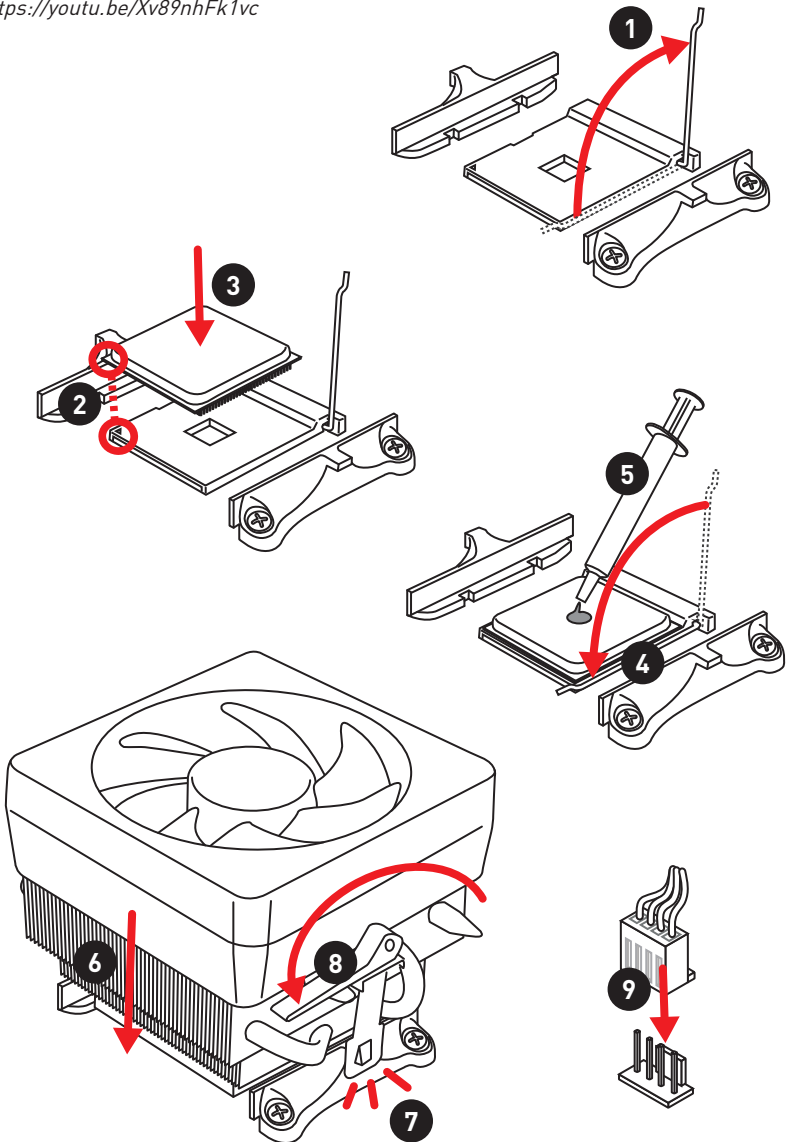


A Package of Screws

## Installing a Processor

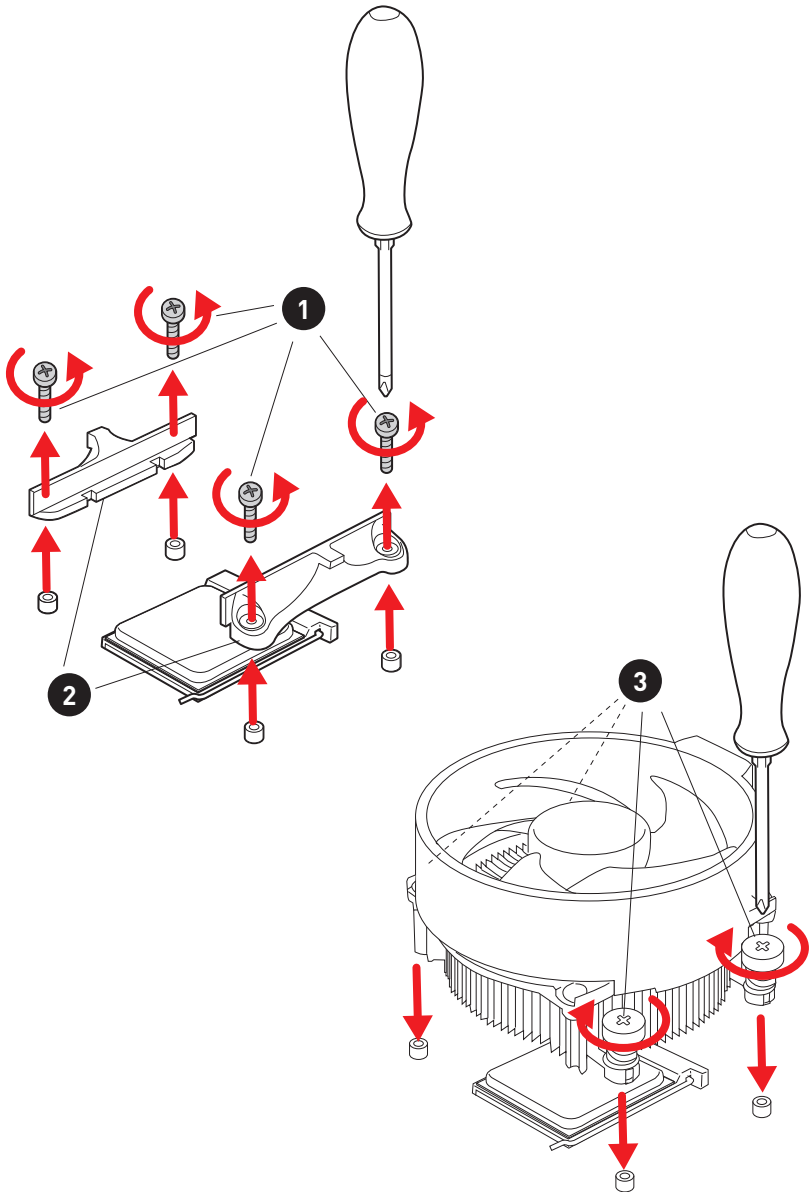


<https://youtu.be/Xv89nhFk1vc>



**!** **Important**

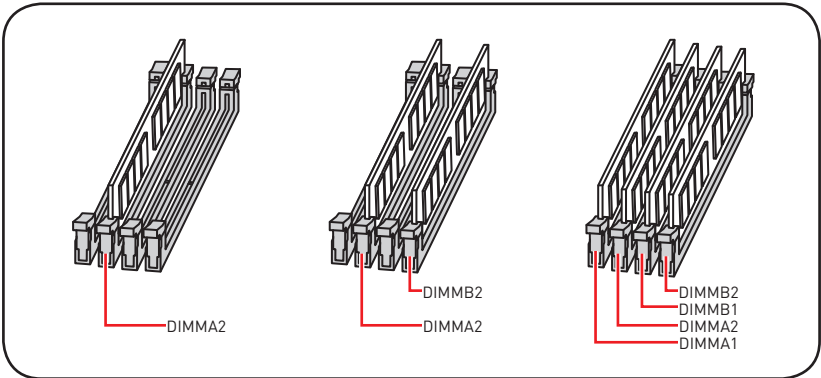
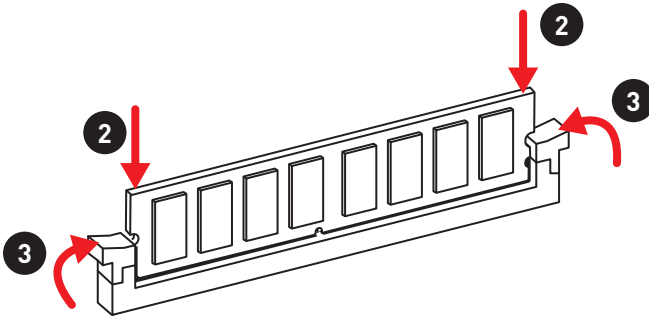
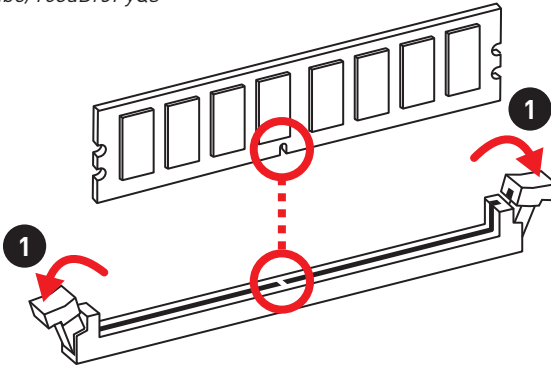
If you are installing the screw-type CPU heatsink, please follow the figure below to remove the retention module first and then install the heatsink.



# Installing DDR4 memory



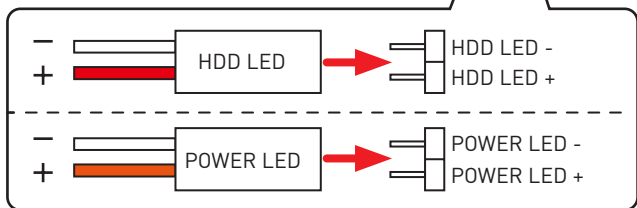
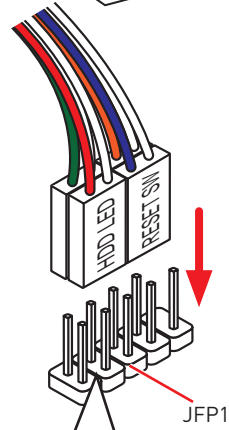
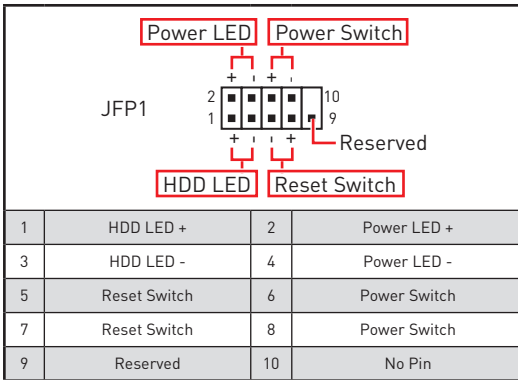
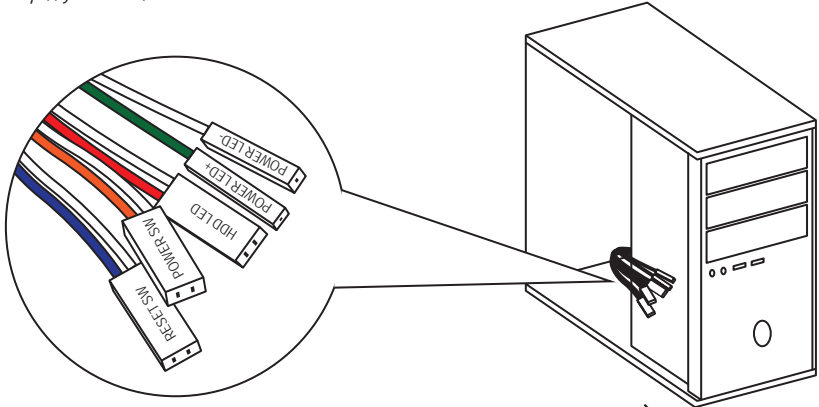
<http://youtu.be/T03aDrJPYQs>



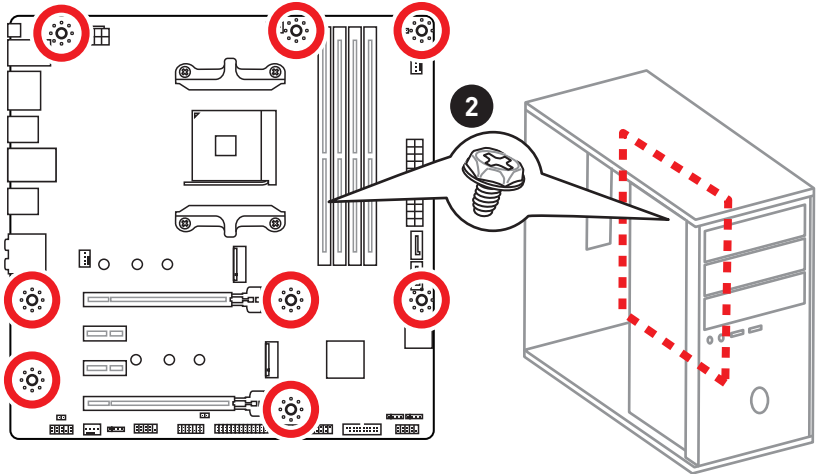
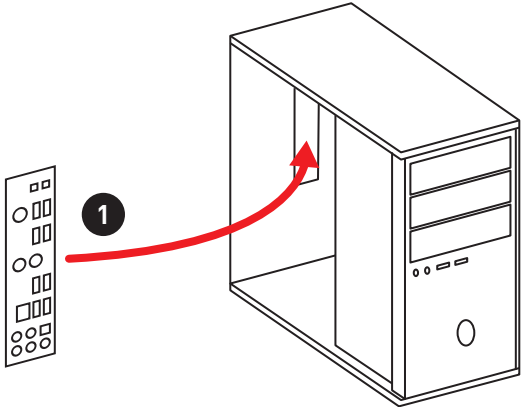
# Connecting the Front Panel Header



<http://youtu.be/DPELIdVNZUI>



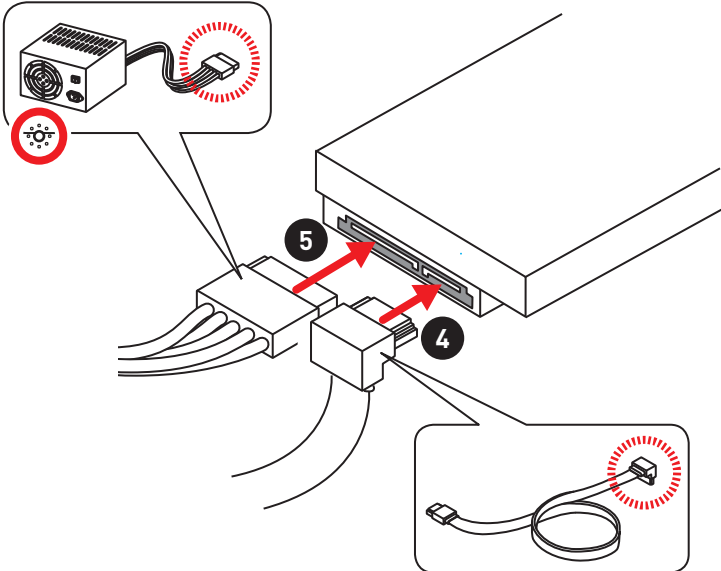
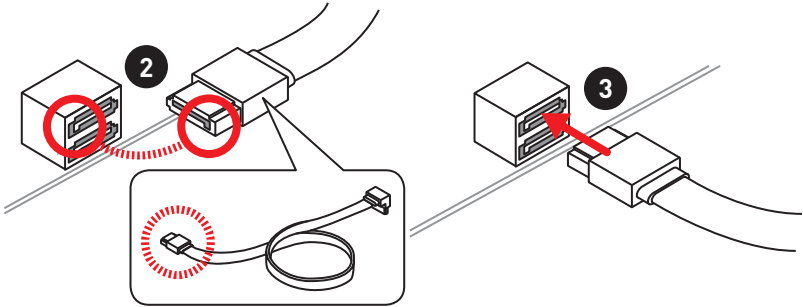
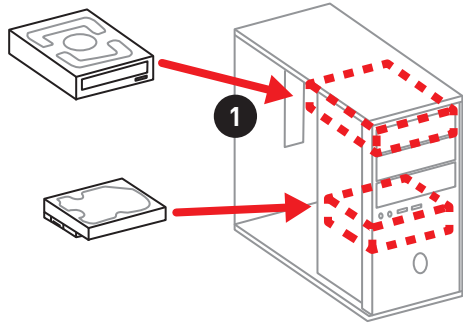
# Installing the Motherboard



# Installing SATA Drives



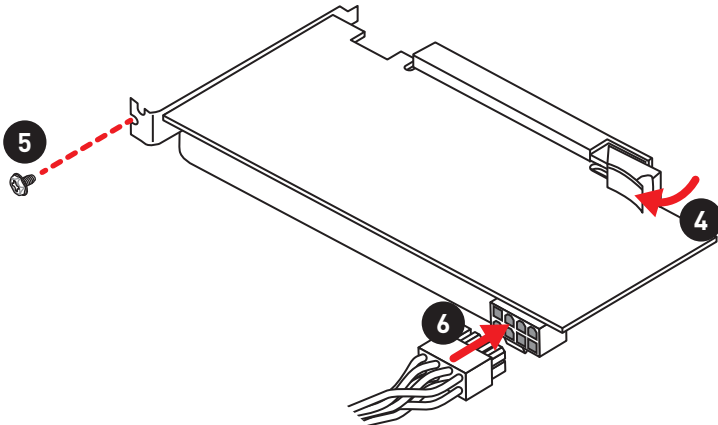
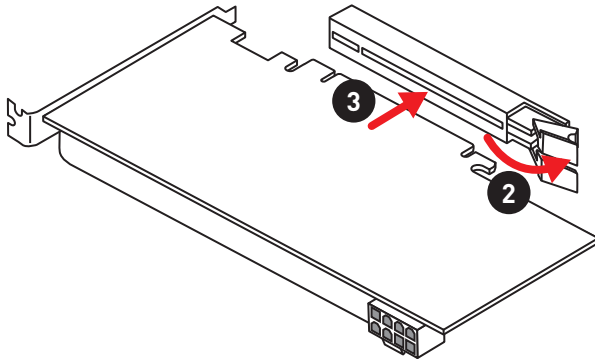
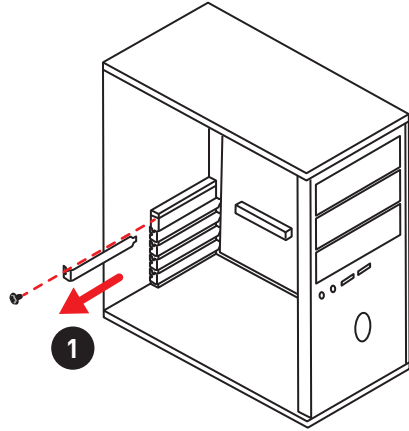
<http://youtu.be/RZsMpqxythc>



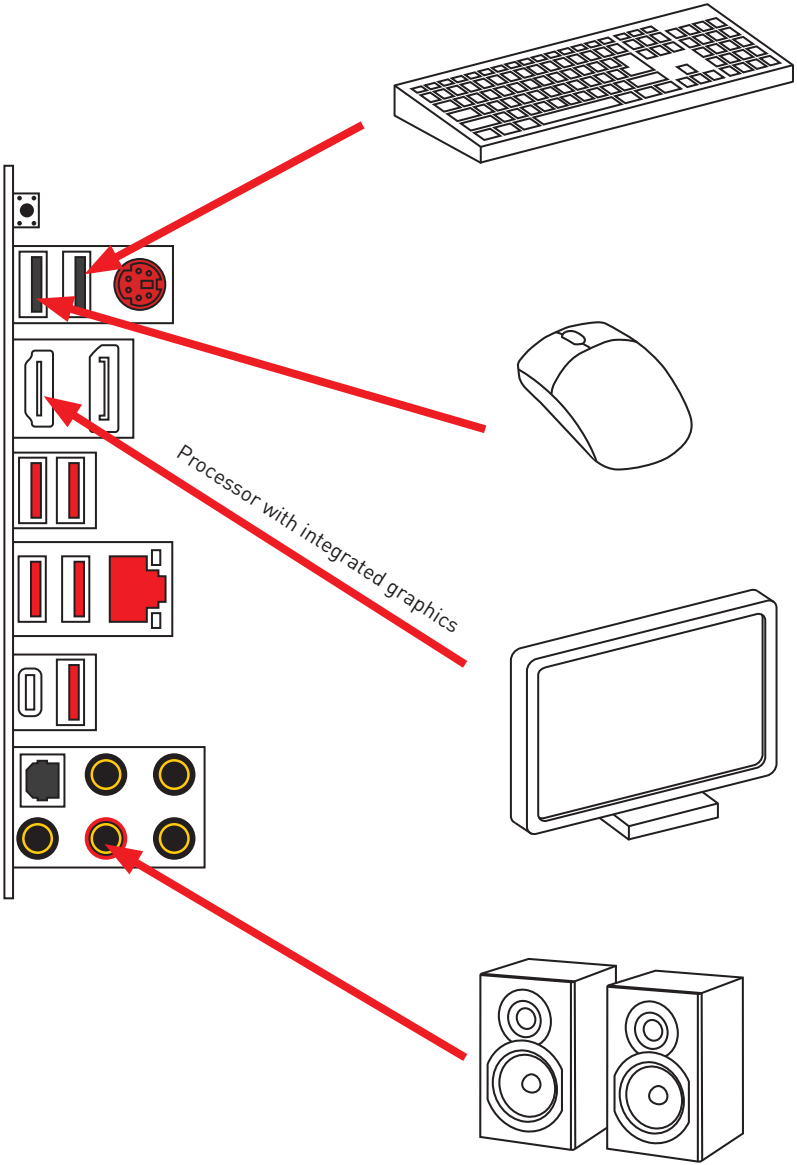
# Installing a Graphics Card



[http://youtu.be/mG0GZpr9w\\_A](http://youtu.be/mG0GZpr9w_A)



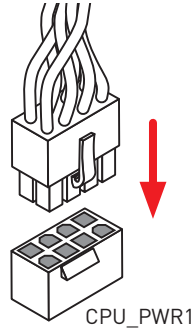
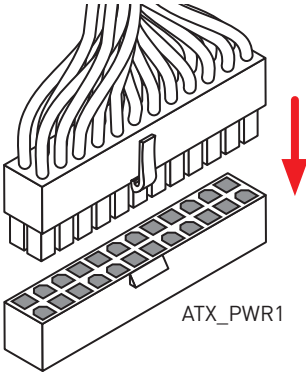
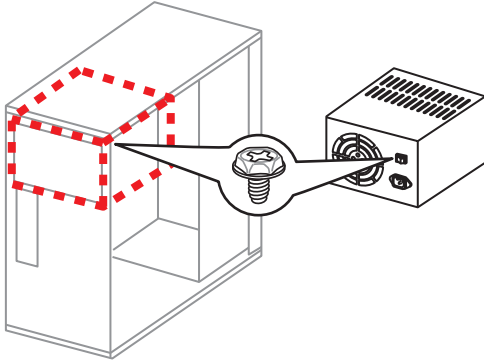
# Connecting Peripheral Devices



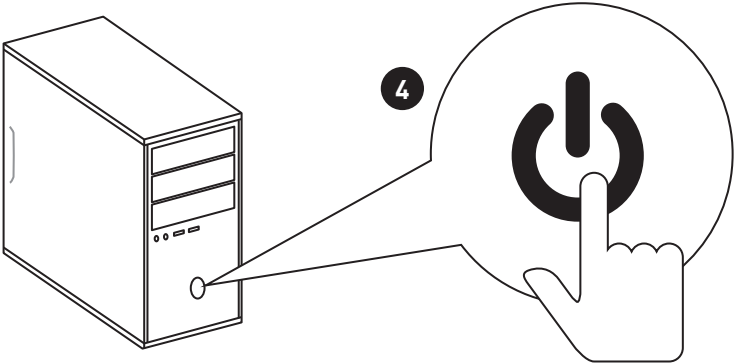
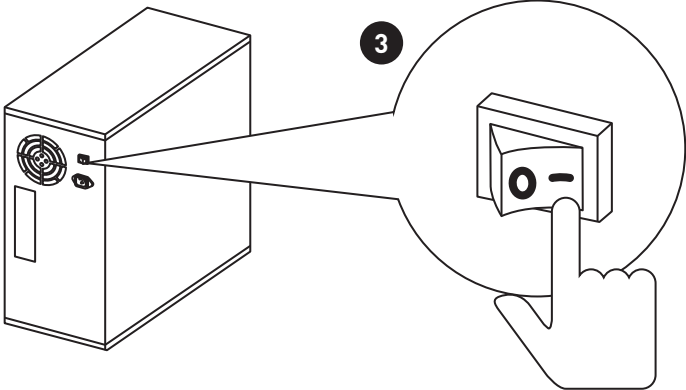
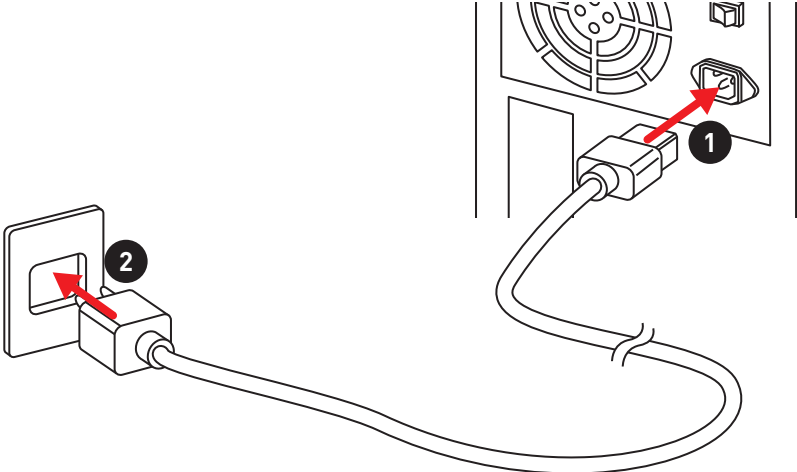
# Connecting the Power Connectors



[http://youtu.be/gkDYyR\\_8314](http://youtu.be/gkDYyR_8314)



# Power On



# Contents

<b>Quick Start</b> .....	<b>1</b>
Preparing Tools and Components .....	1
Installing a Processor .....	2
Installing DDR4 memory .....	4
Connecting the Front Panel Header .....	5
Installing the Motherboard .....	6
Installing SATA Drives .....	7
Installing a Graphics Card .....	8
Connecting Peripheral Devices .....	9
Connecting the Power Connectors .....	10
Power On .....	11
<b>Safety Information</b> .....	<b>14</b>
<b>Specifications</b> .....	<b>15</b>
<b>Package contents</b> .....	<b>20</b>
<b>Block Diagram</b> .....	<b>21</b>
<b>Rear I/O Panel</b> .....	<b>22</b>
LAN Port LED Status Table .....	22
Audio Ports Configuration .....	22
Realtek Audio Console .....	23
<b>Overview of Components</b> .....	<b>25</b>
CPU Socket .....	27
DIMM Slots .....	28
PCI_E1~4: PCIe Expansion Slots .....	29
JFP1, JFP2: Front Panel Connectors .....	29
M2_1~2: M.2 Slots (Key M) .....	30
CPU_PWR1, ATX_PWR1: Power Connectors .....	31
JAUD1: Front Audio Connector .....	31
JUSB1~2: USB 2.0 Connectors .....	32
JUSB3: USB 3.1 Gen1 Connector .....	32
CPU_FAN1, SYS_FAN1~3: Fan Connectors .....	33
JCOM1: Serial Port Connector .....	33
SATA1~4: SATA 6Gb/s Connectors .....	34
JLPT1: Parallel Port Connector .....	34
JCI1: Chassis Intrusion Connector .....	35
JTPM1: TPM Module Connector .....	35
JRGB1, JRGB2: RGB LED Connectors .....	36
EZ Debug LED .....	36

JBAT1: Clear CMOS (Reset BIOS) Jumper .....	37
<b>BIOS Setup .....</b>	<b>38</b>
Entering BIOS Setup .....	38
Resetting BIOS .....	39
Updating BIOS .....	39
System Status .....	41
Advanced .....	42
OC .....	47
M-FLASH .....	52
Security .....	53
Boot .....	55
Save & Exit .....	56
<b>Software Description .....</b>	<b>57</b>
Installing Windows® 10 .....	57
Installing Drivers .....	57
Installing Utilities .....	57
APP MANAGER .....	58
LIVE UPDATE 6 .....	59
COMMAND CENTER .....	61
GAMING APP .....	65
X-BOOST .....	70
MYSTIC LIGHT .....	72
MYSTIC LIGHT PARTY .....	76
SMART TOOL .....	80
<b>AMD RAID Configuration .....</b>	<b>82</b>
Enabling RAIDXpert2 Configuration Utility .....	82
Initializing Disks .....	83
Creating Arrays .....	84
Deleting Arrays .....	85
Installing RAID Driver .....	86
<b>Troubleshooting .....</b>	<b>87</b>

# Safety Information

- The components included in this package are prone to damage from electrostatic discharge (ESD). Please adhere to the following instructions to ensure successful computer assembly.
- Ensure that all components are securely connected. Loose connections may cause the computer to not recognize a component or fail to start.
- Hold the motherboard by the edges to avoid touching sensitive components.
- It is recommended to wear an electrostatic discharge (ESD) wrist strap when handling the motherboard to prevent electrostatic damage. If an ESD wrist strap is not available, discharge yourself of static electricity by touching another metal object before handling the motherboard.
- Store the motherboard in an electrostatic shielding container or on an anti-static pad whenever the motherboard is not installed.
- Before turning on the computer, ensure that there are no loose screws or metal components on the motherboard or anywhere within the computer case.
- Do not boot the computer before installation is completed. This could cause permanent damage to the components as well as injury to the user.
- If you need help during any installation step, please consult a certified computer technician.
- Always turn off the power supply and unplug the power cord from the power outlet before installing or removing any computer component.
- Keep this user guide for future reference.
- Keep this motherboard away from humidity.
- Make sure that your electrical outlet provides the same voltage as is indicated on the PSU, before connecting the PSU to the electrical outlet.
- Place the power cord such a way that people can not step on it. Do not place anything over the power cord.
- All cautions and warnings on the motherboard should be noted.
- If any of the following situations arises, get the motherboard checked by service personnel:
  - Liquid has penetrated into the computer.
  - The motherboard has been exposed to moisture.
  - The motherboard does not work well or you can not get it work according to user guide.
  - The motherboard has been dropped and damaged.
  - The motherboard has obvious sign of breakage.
- Do not leave this motherboard in an environment above 60°C (140°F), it may damage the motherboard.

# Specifications

<b>CPU</b>	Supports 1st, 2nd and 3rd Gen AMD Ryzen™, Ryzen™ with Radeon™ Vega Graphics, 2nd Gen AMD Ryzen™ with Radeon™ Graphics and Athlon™ with Radeon™ Vega Graphics Desktop Processors for Socket AM4
<b>Chipset</b>	AMD® B450 Chipset
<b>Memory</b>	<ul style="list-style-type: none"> <li>• 4x DDR4 memory slots, support up to 64GB*             <ul style="list-style-type: none"> <li>▪ Supports 1866/ 2133/ 2400/ 2667Mhz (by JEDEC)</li> <li>▪ Supports 2667/ 2800/ 2933/ 3000/ 3066/ 3200/ 3466 MHz (by A-XMP OC MODE)</li> </ul> </li> <li>• Dual channel memory architecture</li> <li>• Supports non-ECC UDIMM memory</li> <li>• Supports ECC UDIMM memory (non-ECC mode)</li> </ul> <p>* Please refer <a href="http://www.msi.com">www.msi.com</a> for more information on compatible memory.</p>
<b>Expansion Slots</b>	<ul style="list-style-type: none"> <li>• 1x PCIe 3.0 x16 slot (PCI_E1)             <ul style="list-style-type: none"> <li>▪ Supports x16 speed with 1st, 2nd and 3rd Gen AMD Ryzen™ processors</li> <li>▪ Supports x8 speed with Ryzen™ with Radeon™ Vega Graphics and 2nd Gen AMD Ryzen™ with Radeon™ Graphics processors</li> <li>▪ Supports x4 speed with Athlon™ with Radeon™ Vega Graphics Processors</li> </ul> </li> <li>• 1x PCIe 2.0 x16 slot (PCI_E4, supports x4 mode)*</li> <li>• 2x PCIe 2.0 x1 slots**</li> </ul> <p>* PCI_E4 slot will be unavailable when an M.2 SSD is installed in the M2_2 slot.            ** PCI_E2 slot will be unavailable when an expansion card is installed in the PCI_E3 slot.</p>
<b>Onboard Graphics</b>	<ul style="list-style-type: none"> <li>• 1x DisplayPort, support a maximum resolution of 4096x2304 @60Hz, 2560x1600 @60Hz, 3840x2160 @60Hz, 1920x1200 @60Hz*</li> <li>• 1x HDMI™ 1.4 port, supports a maximum resolution of 4096x2160 @30Hz, 2560x1600 @60Hz*</li> </ul> <p>* Only support when using Ryzen™ with Radeon™ Vega Graphics and 2nd Gen AMD Ryzen™ with Radeon™ Graphics/ Athlon™ with Radeon™ Vega Graphics processors            * Maximum shared memory of 2048 MB</p>
<b>Multi-GPU</b>	<ul style="list-style-type: none"> <li>• Supports 2-Way AMD® CrossFire™ Technology</li> </ul>

Continued on next page

Continued from previous page

<b>Storage</b>	<p>AMD® B450 Chipset</p> <ul style="list-style-type: none"><li>• 4x SATA 6Gb/s ports*</li><li>• 1x M.2 slot (M2_2, Key M)*<ul style="list-style-type: none"><li>▪ Supports PCIe 2.0 x4 2242/ 2260 /2280 storage devices</li></ul></li></ul> <p>AMD® CPU</p> <ul style="list-style-type: none"><li>• 1x M.2 slot (M2_1, Key M)*<ul style="list-style-type: none"><li>▪ Supports PCIe 3.0 x4 (1st, 2nd and 3rd Gen AMD Ryzen™/ Ryzen™ with Radeon™ Vega Graphics and 2nd Gen AMD Ryzen™ with Radeon™ Graphics) or PCIe 3.0 x2 (Athlon™ with Radeon™ Vega Graphics) and SATA 6Gb/s</li><li>▪ Supports 2242/ 2260 /2280 storage devices</li></ul></li></ul> <p>* PCI_E4 slot will be unavailable when an M.2 SSD is installed in the M2_2 slot.</p>
<b>RAID</b>	<p>AMD® B450 Chipset</p> <ul style="list-style-type: none"><li>• Supports RAID 0, RAID 1 and RAID 10 for SATA storage devices</li><li>• Supports RAID 0 and RAID 1 for M.2 NVMe RAID</li></ul>
<b>USB</b>	<p>AMD® B450 Chipset</p> <ul style="list-style-type: none"><li>• 1x USB 3.1 Gen2 (SuperSpeed USB 10Gbps) Type-C port on the back panel</li><li>• 1x USB 3.1 Gen2 (SuperSpeed USB 10Gbps) Type-A port on the back panel</li><li>• 2x USB 3.1 Gen1 (SuperSpeed USB) ports available through the internal USB 3.1 Gen1 connector</li><li>• 6x USB 2.0 (High-speed USB) ports (2 Type-A ports on the back panel, 4 ports available through the internal USB 2.0 connectors)</li></ul> <p>AMD® CPU</p> <ul style="list-style-type: none"><li>• 4x USB 3.1 Gen1 (SuperSpeed USB) Type-A ports on the back panel</li></ul>
<b>LAN</b>	<p>1x Realtek® RTL8111H-CG Gigabit LAN controller</p>
<b>Audio</b>	<ul style="list-style-type: none"><li>• Realtek® ALC892 Codec</li><li>• 7.1-Channel High Definition Audio</li><li>• Supports S/PDIF output</li></ul>

Continued on next page

Continued from previous page

<b>Back Panel Connectors</b>	<ul style="list-style-type: none"><li>• 1x Flash BIOS Button</li><li>• 1x PS/2 keyboard/ mouse combo port</li><li>• 2x USB 2.0 Type-A ports</li><li>• 1x DisplayPort</li><li>• 1x HDMI™ port</li><li>• 4x USB 3.1 Gen1 Type-A ports</li><li>• 1x LAN (RJ45) port</li><li>• 1x USB 3.1 Gen2 Type-A port</li><li>• 1x USB 3.1 Gen2 Type-C port</li><li>• 5x OFC audio jacks</li><li>• 1x Optical S/PDIF OUT connector</li></ul>
<b>Internal Connectors</b>	<ul style="list-style-type: none"><li>• 1x 24-pin ATX 12V power connector</li><li>• 1x 8-pin ATX 12V power connector</li><li>• 4x SATA 6Gb/s connectors</li><li>• 2x USB 2.0 connectors (support additional 4 USB 2.0 ports)</li><li>• 1x USB 3.1 Gen1 connector (support additional 2 USB 3.1 Gen1 ports)</li><li>• 1x 4-pin CPU fan connector</li><li>• 3x 4-pin system fan connectors</li><li>• 2x 5050 RGB LED strip 12V connectors</li><li>• 1x TPM module connector</li><li>• 1x Front panel audio connector</li><li>• 2x System panel connectors</li><li>• 1x Chassis Intrusion connector</li><li>• 1x Clear CMOS jumper</li><li>• 1x Serial Port connector</li><li>• 1x Parallel Port connector</li></ul>
<b>I/O Controller</b>	NUVOTON NCT6797D Controller Chip
<b>Hardware Monitor</b>	<ul style="list-style-type: none"><li>• CPU/System temperature detection</li><li>• CPU/System fan speed detection</li><li>• CPU/System fan speed control</li></ul>

Continued on next page

Continued from previous page

<b>Form Factor</b>	<ul style="list-style-type: none"><li>• m-ATX Form Factor</li><li>• 9.6 in. x 9.6 in. (24.4 cm x 24.4 cm)</li></ul>
<b>BIOS Features</b>	<ul style="list-style-type: none"><li>• 1x 128 Mb flash</li><li>• UEFI AMI BIOS</li><li>• ACPI 6.1, SM BIOS 2.8</li><li>• Multi-language</li></ul>
<b>Software</b>	<ul style="list-style-type: none"><li>• Drivers</li><li>• APP MANAGER</li><li>• COMMAND CENTER</li><li>• LIVE UPDATE 6</li><li>• MYSTIC LIGHT</li><li>• SUPER CHARGER</li><li>• GAMING APP</li><li>• X-BOOST</li><li>• SMART TOOL</li><li>• Open Broadcaster Software (OBS)</li><li>• Norton™ Internet Security Solution</li><li>• Google Chrome™, Google Toolbar, Google Drive</li><li>• CPU-Z MSI GAMING</li></ul>

Continued on next page

Continued from previous page

## Special Features

- Audio
  - Audio Boost
- Storage
  - Turbo M.2
  - StoreMI
- Fan
  - Gaming Fan Control
- LED
  - Mystic Light
  - Mystic Light Extension (RGB)
  - Mystic light SYNC
  - EZ DEBUG LED
- Protection
  - PCI-E Steel Armor
  - PCI-E Steel Slot
- Performance
  - Multi GPU-CrossFire Technology
  - DDR4 Boost
  - GAME Boost
  - USB with type A+C
  - AMD Turbo USB 3.1 Gen 2
  - CORE Boost
- VR
  - VR Ready
- Gamer Experience
  - GAMING HOTKEY
  - GAMING MOUSE Control
- BIOS
  - Click BIOS 5

# Package contents

Please check the contents of your motherboard package. It should contain:

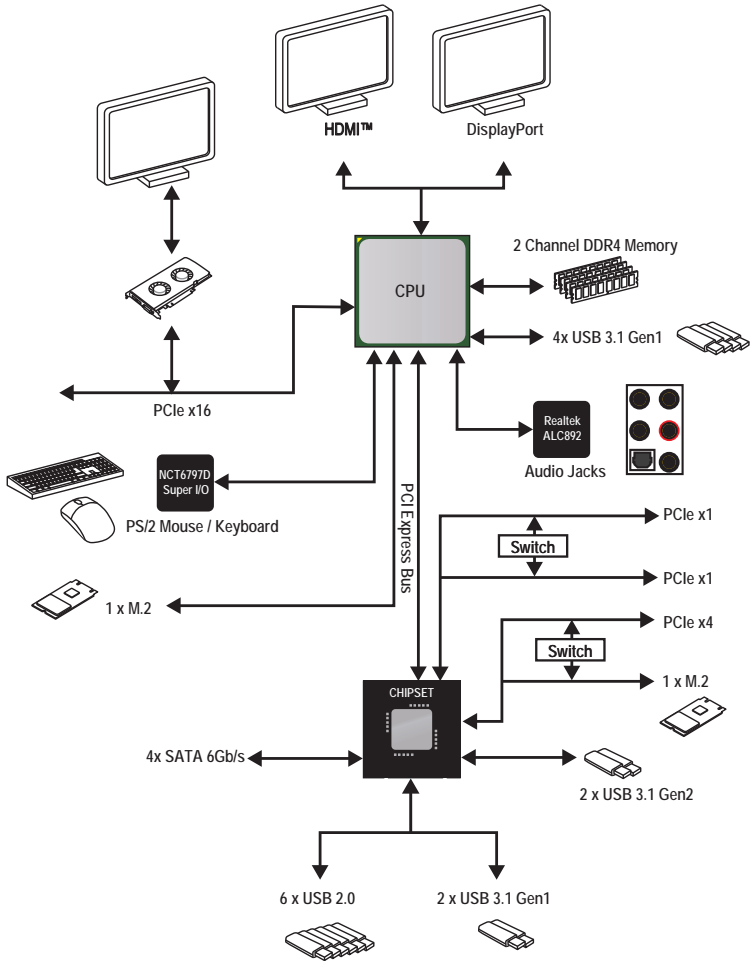
- Motherboard
- Driver DVD
- User Manual
- Quick Installation Guide
- I/O Shielding
- SATA 6G Cable X2
- Case Badge
- Product Registration Card
- M.2 Screw x2



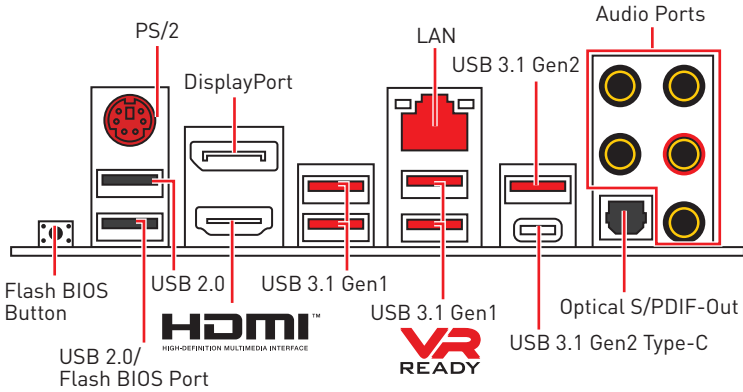
**Important**

*If any of the above items are damaged or missing, please contact your retailer.*

# Block Diagram

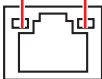


# Rear I/O Panel

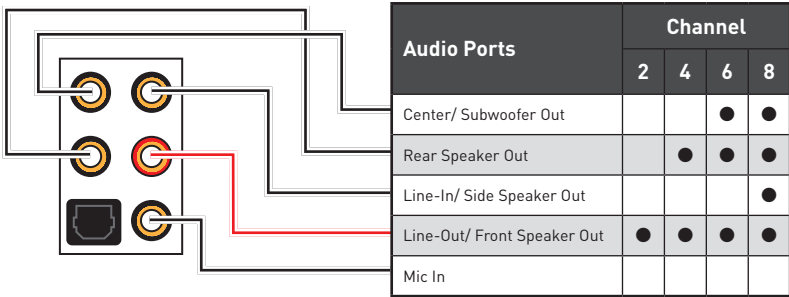


- **Flash BIOS Port** - Please refer to page 40 for Updating BIOS with Flash BIOS Button.

## LAN Port LED Status Table

Link/ Activity LED			Speed LED	
Status	Description		Status	Description
Off	No link		Off	10 Mbps connection
Yellow	Linked		Green	100 Mbps connection
Blinking	Data activity		Orange	1 Gbps connection

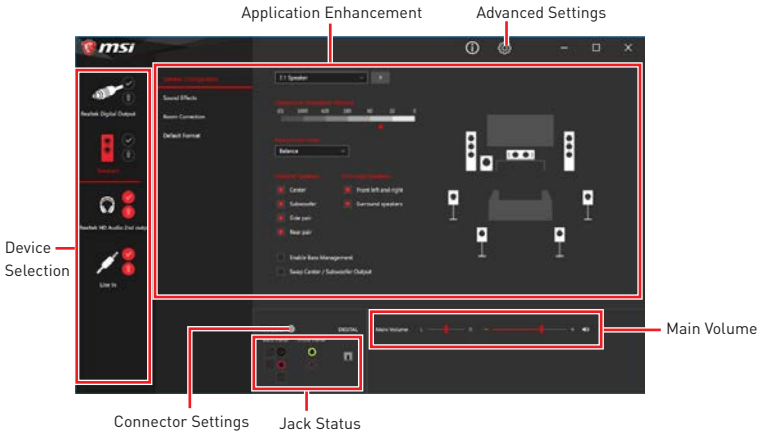
## Audio Ports Configuration



(●: connected, **Blank**: empty)

# Realtek Audio Console

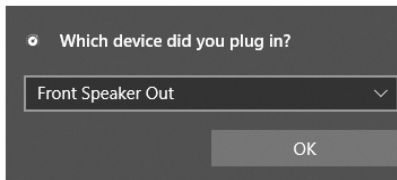
After Realtek Audio Console is installed. You can use it to change sound settings to get better sound experience.



- **Device Selection** - allows you to select a audio output source to change the related options. The **check** sign indicates the devices as default.
- **Application Enhancement** - the array of options will provide you a complete guidance of anticipated sound effect for both output and input device.
- **Main Volume** - controls the volume or balance the right/left side of the speakers that you plugged in front or rear panel by adjust the bar.
- **Advanced Settings** - provides the mechanism to deal with 2 independent audio streams.
- **Jack Status** - depicts all render and capture devices currently connected with your computer.
- **Connector Settings** - configures the Base connection settings.

## Auto popup dialog

When you plug into a device at an audio jack, a dialogue window will pop up asking you which device is current connected.

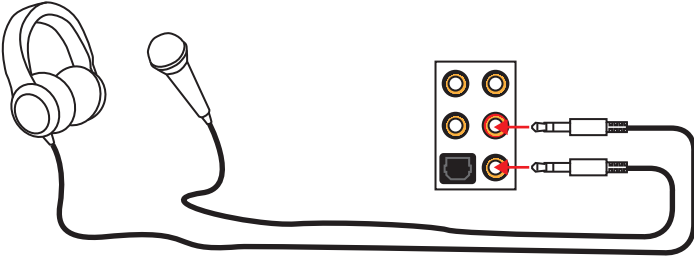


Each jack corresponds to its default setting as shown on the next page.

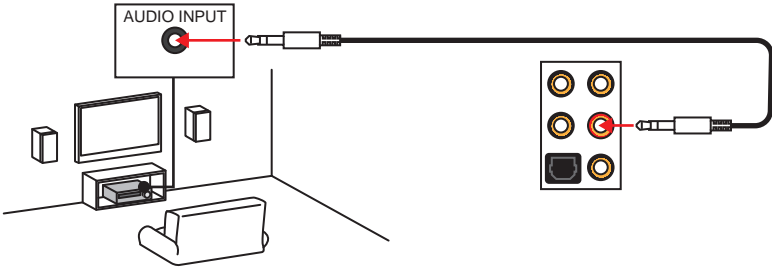
### **Important**

*The pictures above for reference only and may vary from the product you purchased.*

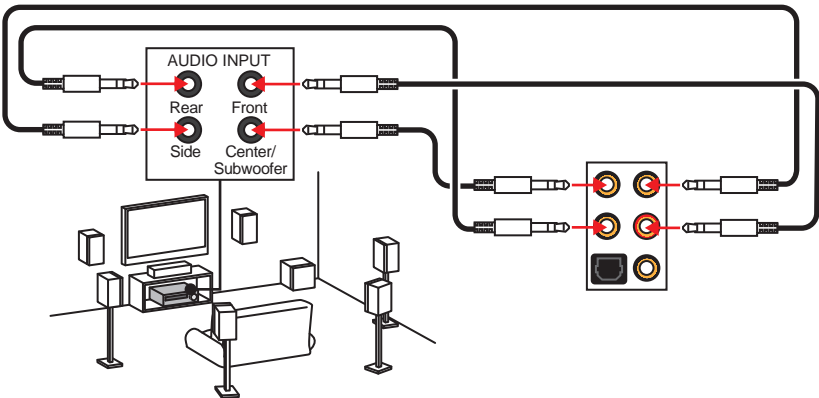
### Audio jacks to headphone and microphone diagram



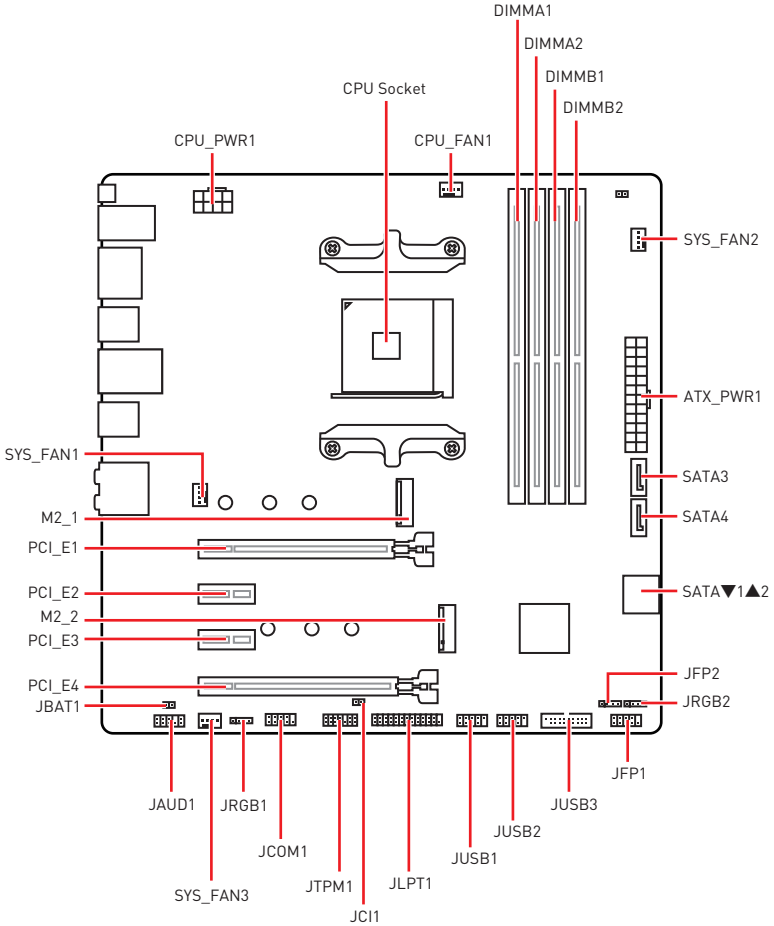
### Audio jacks to stereo speakers diagram



### Audio jacks to 7.1-channel speakers diagram



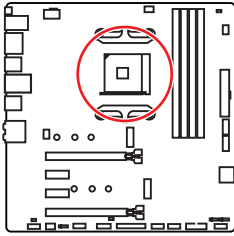
# Overview of Components



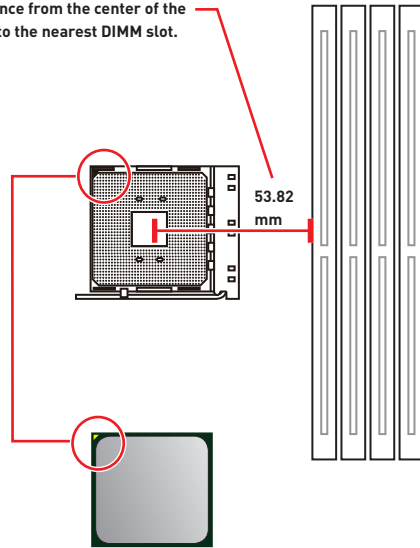
## Component Contents

Port Name	Port Type	Page
CPU_FAN1, SYS_FAN1~3	Fan Connectors	33
CPU_PWR1, ATX_PWR1	Power Connectors	31
CPU Socket	AM4 CPU Socket	27
DIMMA1, DIMMA2, DIMMB1, DIMMB2	DIMM Slots	28
JAUD1	Front Audio Connector	31
JBAT1	Clear CMOS (Reset BIOS) Jumper	37
JCI1	Chassis Intrusion Connector	35
JCOM1	Serial Port Connector	33
JFP1, JFP2	Front Panel Connectors	29
JLPT1	Parallel Port Connector	34
JRGB1, JRGB2	RGB LED Connectors	36
JTPM1	TPM Module Connector	35
JUSB1~2	USB 2.0 Connectors	32
JUSB3	USB 3.1 Gen1 Connector	32
M2_1~2	M.2 Slots (Key M)	30
PCI_E1~4	PCIe Expansion Slots	29
SATA1~4	SATA 6Gb/s Connectors	34

## CPU Socket



Distance from the center of the CPU to the nearest DIMM slot.



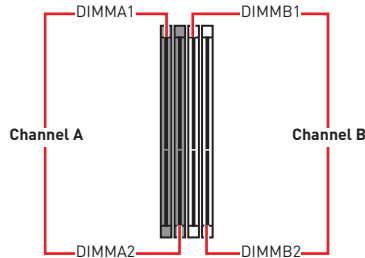
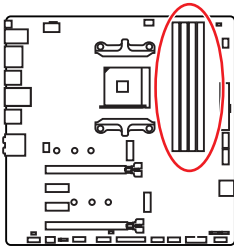
### Introduction to the AM4 CPU

The surface of the AM4 CPU has a yellow triangle to assist in correctly lining up the CPU for motherboard placement. The yellow triangle is the Pin 1 indicator.

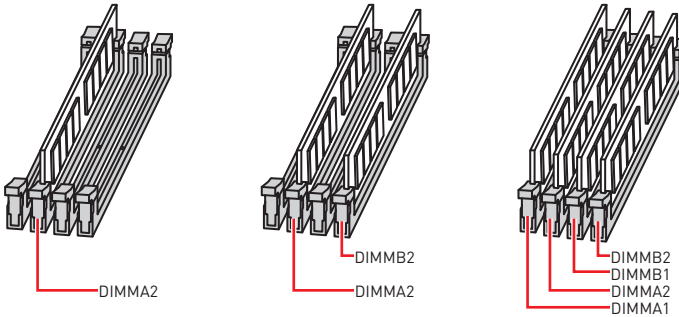
#### Important

- When changing the processor, the system configuration could be cleared and reset BIOS to default values, due to the AM4 processor's architecture.
- Always unplug the power cord from the power outlet before installing or removing the CPU.
- When installing a CPU, always remember to install a CPU heatsink. A CPU heatsink is necessary to prevent overheating and maintain system stability.
- Confirm that the CPU heatsink has formed a tight seal with the CPU before booting your system.
- Overheating can seriously damage the CPU and motherboard. Always make sure the cooling fans work properly to protect the CPU from overheating. Be sure to apply an even layer of thermal paste (or thermal tape) between the CPU and the heatsink to enhance heat dissipation.
- If you purchased a separate CPU and heatsink/ cooler, Please refer to the documentation in the heatsink/ cooler package for more details about installation.
- This motherboard is designed to support overclocking. Before attempting to overclock, please make sure that all other system components can tolerate overclocking. Any attempt to operate beyond product specifications is not recommended. MSI® does not guarantee the damages or risks caused by inadequate operation beyond product specifications.

## DIMM Slots



## Memory module installation recommendation



### Important

- Always insert memory modules in the **DIMMA2** slot first.
- Due to chipset resource usage, the available capacity of memory will be a little less than the amount of installed.
- Based on the processor specification, the Memory DIMM voltage below 1.35V is suggested to protect the processor.
- Some memory modules may operate at a lower frequency than the marked value when overclocking due to the memory frequency operates dependent on its Serial Presence Detect (SPD). Go to BIOS and find the **DRAM Frequency** to set the memory frequency if you want to operate the memory at the marked or at a higher frequency.
- It is recommended to use a more efficient memory cooling system for full DIMMs installation or overclocking.
- The stability and compatibility of installed memory module depend on installed CPU and devices when overclocking.
- Due to AM4 CPU/memory controller official specification limitation, the frequency of memory modules may operate lower than the marked value under the default state. Please refer [www.msi.com](http://www.msi.com) for more information on compatible memory.

## PCI\_E1~4: PCIe Expansion Slots

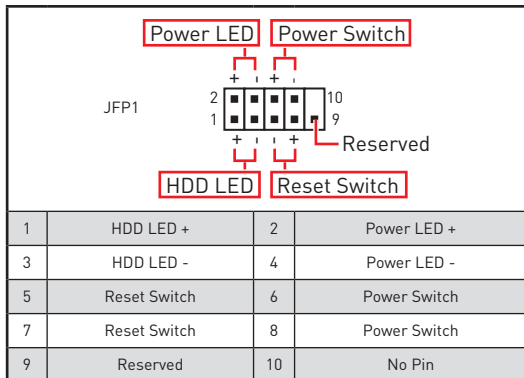
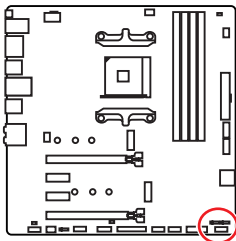
Processors Slots	RYZEN Series	Ryzen™ with Radeon™ Vega Graphics and 2nd Gen AMD Ryzen™ with Radeon™ Graphics	Athlon™ with Radeon Vega Graphics
PCI_E1	PCIe 3.0 x16	PCIe 3.0 x8	PCIe 3.0 x4
PCI_E2	PCIe 2.0 x1	PCIe 2.0 x1	PCIe 2.0 x1
PCI_E3	PCIe 2.0 x1	PCIe 2.0 x1	PCIe 2.0 x1
PCI_E4	PCIe 2.0 x4	PCIe 2.0 x4	PCIe 2.0 x4

### Important

- PCI\_E4 slot will be unavailable when an M.2 SSD is installed in the M2\_2 slot.
- PCI\_E2 slot will be unavailable when an expansion card is installed in the PCI\_E3 slot.
- If you install a large and heavy graphics card, you need to use a tool such as **MSI Gaming Series Graphics Card Bolster** to support its weight to prevent deformation of the slot.
- For a single PCIe x16 expansion card installation with optimum performance, using the **PCI\_E1** slot is recommended.
- When adding or removing expansion cards, always turn off the power supply and unplug the power supply power cable from the power outlet. Read the expansion card's documentation to check for any necessary additional hardware or software changes.

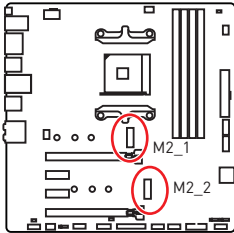
## JFP1, JFP2: Front Panel Connectors

These connectors connect to the switches and LEDs on the front panel.



	1	Speaker -	2	Buzzer +
	3	Buzzer -	4	Speaker +

## M2\_1~2: M.2 Slots (Key M)



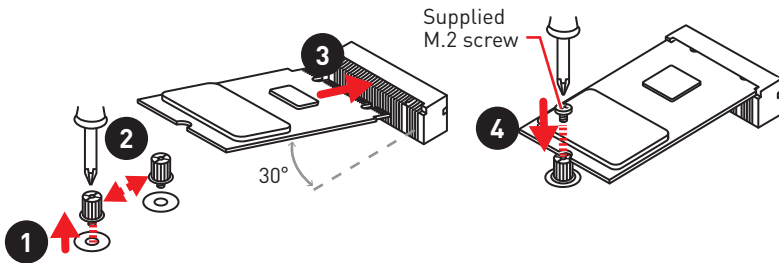
### Video Demonstration

Watch the video to learn how to Install M.2 module.

<http://youtu.be/JCTFAByrYA>

## Installing M.2 SSD

1. Loosen the M.2 riser screw from the motherboard.
2. Move and fasten the M.2 riser screw to the appropriate location for your M.2 SSD.
3. Insert your M.2 SSD into the M.2 slot at a 30-degree angle.
4. Secure the M.2 SSD in place with the supplied M.2 screw.

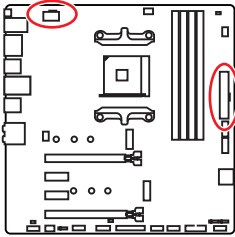


### Important

PCI\_E4 slot will be unavailable when an M.2 SSD is installed in the M2\_2 slot.

## CPU\_PWR1, ATX\_PWR1: Power Connectors

These connectors allow you to connect an ATX power supply.



1	Ground	5	+12V
2	Ground	6	+12V
3	Ground	7	+12V
4	Ground	8	+12V

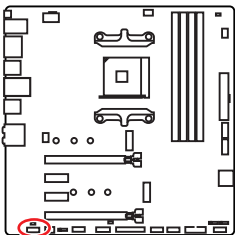
1	+3.3V	13	+3.3V
2	+3.3V	14	-12V
3	Ground	15	Ground
4	+5V	16	PS-ON#
5	Ground	17	Ground
6	+5V	18	Ground
7	Ground	19	Ground
8	PWR OK	20	Res
9	5VSB	21	+5V
10	+12V	22	+5V
11	+12V	23	+5V
12	+3.3V	24	Ground

### Important

Make sure that all the power cables are securely connected to a proper ATX power supply to ensure stable operation of the motherboard.

## JAUD1: Front Audio Connector

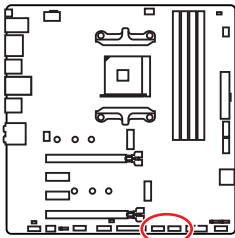
This connector allows you to connect audio jacks on the front panel.



1	MIC L	2	Ground
3	MIC R	4	NC
5	Head Phone R	6	MIC Detection
7	SENSE_SEND	8	No Pin
9	Head Phone L	10	Head Phone Detection

## JUSB1~2: USB 2.0 Connectors

These connectors allow you to connect USB 2.0 ports on the front panel.



1	VCC	2	VCC
3	USB0-	4	USB1-
5	USB0+	6	USB1+
7	Ground	8	Ground
9	No Pin	10	NC

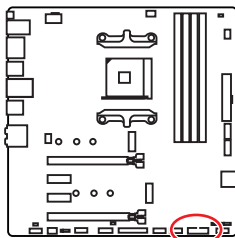


### Important

- Note that the VCC and Ground pins must be connected correctly to avoid possible damage.
- In order to recharge your iPad, iPhone and iPod through USB ports, please install MSI® SUPER CHARGER utility.

## JUSB3: USB 3.1 Gen1 Connector

This connector allows you to connect USB 3.1 Gen1 ports on the front panel.



1	Power	11	USB2.0+
2	USB3_RX_DN	12	USB2.0-
3	USB3_RX_DP	13	Ground
4	Ground	14	USB3_TX_C_DP
5	USB3_TX_C_DN	15	USB3_TX_C_DN
6	USB3_TX_C_DP	16	Ground
7	Ground	17	USB3_RX_DP
8	USB2.0-	18	USB3_RX_DN
9	USB2.0+	19	Power
10	NC	20	No Pin

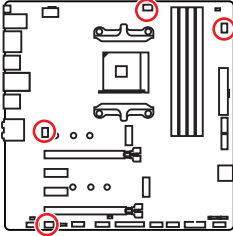


### Important

Note that the Power and Ground pins must be connected correctly to avoid possible damage.

## CPU\_FAN1, SYS\_FAN1~3: Fan Connectors

Fan connectors can be classified as PWM (Pulse Width Modulation) Mode or DC Mode. PWM Mode fan connectors provide constant 12V output and adjust fan speed with speed control signal. DC Mode fan connectors control fan speed by changing voltage. When you plug a 3-pin (Non-PWM) fan to a fan connector in PWM mode, the fan speed will always maintain at 100%, which might create a lot of noise. You can follow the instruction below to adjust the fan connector to PWM or DC Mode. However, with auto-detection mode fan connectors, the system will auto detect the fan mode.



### Automatically detect mode fan connector



### Default DC Mode fan connectors



## Pin definition of fan connectors

PWM Mode pin definition			
1	Ground	2	+12V
3	Sense	4	Speed Control Signal

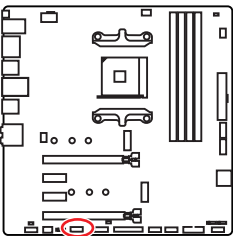
DC Mode pin definition			
1	Ground	2	Voltage Control
3	Sense	4	NC

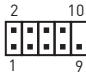
### Important

- You can switch between PWM mode and DC mode and adjust fan speed in **BIOS > HARDWARE MONITOR**.
- Make sure fans are working properly after switching the PWM/ DC mode.

## JCOM1: Serial Port Connector

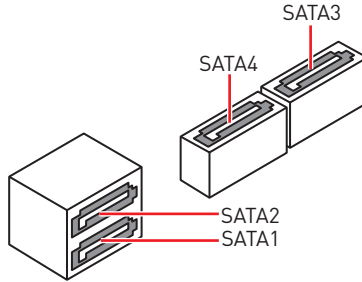
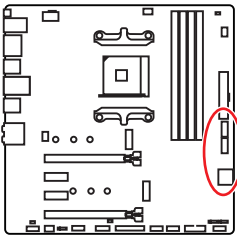
This connector allows you to connect the optional serial port with bracket.



			
1	DCD	2	SIN
3	SOUT	4	DTR
5	Ground	6	DSR
7	RTS	8	CTS
9	RI	10	No Pin

## SATA1~4: SATA 6Gb/s Connectors

These connectors are SATA 6Gb/s interface ports. Each connector can connect to one SATA device.

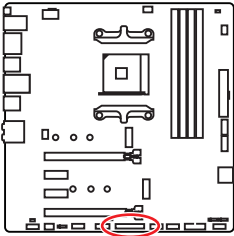



### Important

- Please do not fold the SATA cable at a 90-degree angle. Data loss may result during transmission otherwise.
- SATA cables have identical plugs on either sides of the cable. However, it is recommended that the flat connector be connected to the motherboard for space saving purposes.

## JLPT1: Parallel Port Connector

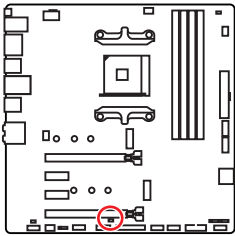
This connector allows you to connect the optional parallel port with bracket.



					
1	RSTB#	2	AFD#	3	PRND0
4	ERR#	5	PRND1	6	PINIT#
7	PRND2	8	LPT_SLIN#	9	PRND3
10	Ground	11	PRND4	12	Ground
13	PRND5	14	Ground	15	PRND6
16	Ground	17	PRND7	18	Ground
19	ACK#	20	Ground	21	BUSY
22	Ground	23	PE	24	Ground
25	SLCT	26	No Pin		

## JCI1: Chassis Intrusion Connector

This connector allows you to connect the chassis intrusion switch cable.



Normal  
(default)



Trigger the chassis  
intrusion event

### Using chassis intrusion detector

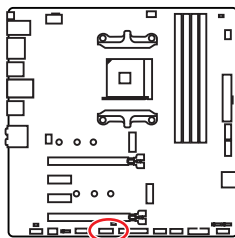
1. Connect the **JCI1** connector to the chassis intrusion switch/ sensor on the chassis.
2. Close the chassis cover.
3. Go to **BIOS > SETTINGS > Security > Chassis Intrusion Configuration**.
4. Set **Chassis Intrusion** to **Enabled**.
5. Press **F10** to save and exit and then press the **Enter** key to select **Yes**.
6. Once the chassis cover is opened again, a warning message will be displayed on screen when the computer is turned on.

### Resetting the chassis intrusion warning

1. Go to **BIOS > SETTINGS > Security > Chassis Intrusion Configuration**.
2. Set **Chassis Intrusion** to **Reset**.
3. Press **F10** to save and exit and then press the **Enter** key to select **Yes**.

## JTPM1: TPM Module Connector

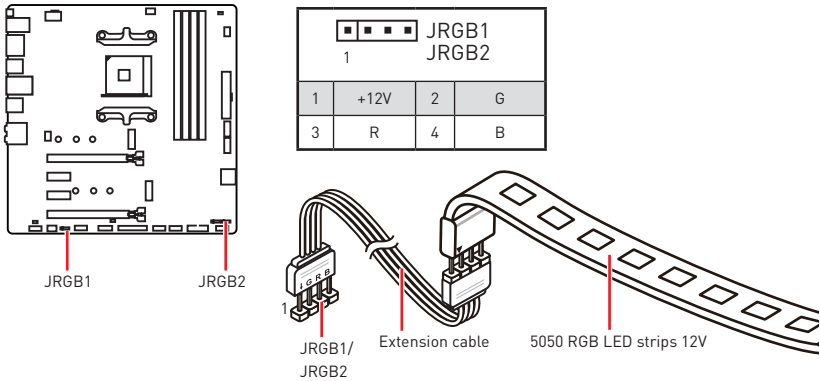
This connector is for TPM (Trusted Platform Module). Please refer to the TPM security platform manual for more details and usages.



1	LPC Clock	2	3V Standby power
3	LPC Reset	4	3.3V Power
5	LPC address & data pin0	6	Serial IRQ
7	LPC address & data pin1	8	5V Power
9	LPC address & data pin2	10	No Pin
11	LPC address & data pin3	12	Ground
13	LPC Frame	14	Ground

## JRGB1, JRGB2: RGB LED Connectors

The JRGB1/JRGB2 connector allows you to connect the 5050 RGB LED strips 12V.

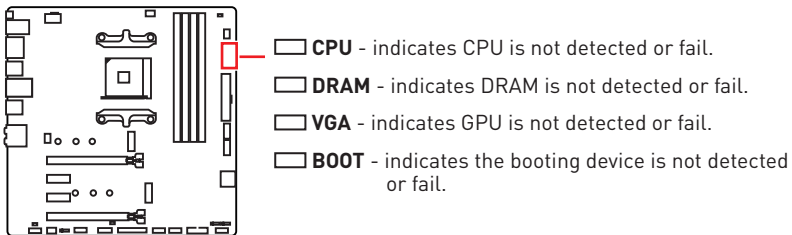


### Important

- The JRGB1/ JRGB2 connector supports up to 2 meters continuous 5050 RGB LED strips (12V/G/R/B) with the maximum power rating of 3A (12V).
- Always turn off the power supply and unplug the power cord from the power outlet before installing or removing the RGB LED strip.
- Please use MSI's software to control the extended LED strip.

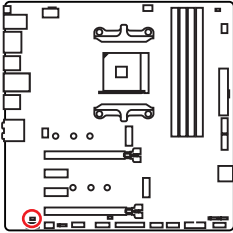
## EZ Debug LED

These LEDs indicate the debug status of the motherboard.



## JBAT1: Clear CMOS (Reset BIOS) Jumper

There is CMOS memory onboard that is external powered from a battery located on the motherboard to save system configuration data. If you want to clear the system configuration, set the jumpers to clear the CMOS memory.



Keep Data  
(default)



Clear CMOS/  
Reset BIOS

### Resetting BIOS to default values

1. Power off the computer and unplug the power cord
2. Use a jumper cap to short **JBAT1** for about 5-10 seconds.
3. Remove the jumper cap from **JBAT1**.
4. Plug the power cord and power on the computer.

# BIOS Setup

The default settings offer the optimal performance for system stability in normal conditions. You should **always keep the default settings** to avoid possible system damage or failure booting unless you are familiar with BIOS.



## **Important**

- *BIOS items are continuously update for better system performance. Therefore, the description may be slightly different from the latest BIOS and should be for reference only. You could also refer to the **HELP** information panel for BIOS item description.*
- *The pictures in this chapter are for reference only and may vary from the product you purchased.*
- *The BIOS items will vary with the processor.*

## Entering BIOS Setup

Press **Delete** key, when the **Press DEL key to enter Setup Menu, F11 to enter Boot Menu** message appears on the screen during the boot process.

### Function key

- F1:** General Help list
- F4:** Enter CPU Specifications menu
- F5:** Enter Memory-Z menu
- F6:** Load optimized defaults
- F10:** Save Change and Reset\*
- F12:** Take a screenshot and save it to USB flash drive (FAT/ FAT32 format only).

\* When you press F10, a confirmation window appears and it provides the modification information. Select between Yes or No to confirm your choice.

## Resetting BIOS

You might need to restore the default BIOS setting to solve certain problems. There are several ways to reset BIOS:

- Go to BIOS and press **F6** to load optimized defaults.
- Short the **Clear CMOS** jumper on the motherboard.



*Be sure the computer is off before clearing CMOS data. Please refer to the **Clear CMOS** jumper section for resetting BIOS.*

## Updating BIOS

### Updating BIOS with M-FLASH

Before updating:

Please download the latest BIOS file that matches your motherboard model from MSI website. And then save the BIOS file into the USB flash drive.

Updating BIOS:

1. Insert the USB flash drive that contains the update file into the computer.
2. Press Del key to enter the BIOS Setup during POST.
3. Go to **BIOS > M-FLASH > Select one file to update BIOS**, select a BIOS file to perform the BIOS update process.
4. After the flashing process is 100% completed, the system will reboot automatically.

### Updating the BIOS with Live Update 6

Before updating:

Make sure the LAN driver is already installed and the internet connection is set properly.

Updating BIOS:

1. Install and launch MSI LIVE UPDATE 6.
2. Select **BIOS Update**.
3. Click on **Scan** button.
4. Click on **Download** icon to download and install the latest BIOS file.
5. Click **Next** and choose **In Windows mode**. And then click **Next** and **Start** to start updating BIOS.
6. After the flashing process is 100% completed, the system will restart automatically.

## Updating BIOS with Flash BIOS Button

Before updating:

Please download the latest BIOS file that matches your motherboard model from MSI® website and rename the BIOS file to **MSI.ROM**. And then, save the **MSI.ROM** file to the root of USB flash drive.



*Only the FAT32 format USB flash drive supports updating BIOS by **Flash BIOS Button**.*

1. Connect power supply to **CPU\_PWR1** and **ATX\_PWR1**. (No other components are necessary but power supply.)
2. Plug the USB flash drive that contains the MSI.ROM file into the **Flash BIOS** Port on rear I/O panel.
3. Press the **Flash BIOS Button** to flash BIOS, and the LED next to the button starts flashing.
4. After the flashing BIOS process is 100% completed, the LED would be off simultaneously.

# System Status



## ► System Language [English]

Choose the BIOS default language.

## ► System Date

Sets the system date. Use tab key to switch between date elements.

The format is <day> <month> <date> <year>.

- <day> Day of the week, from Sun to Sat, determined by BIOS. Read-only.
- <month> The month from Jan. through Dec.
- <date> The date from 1 to 31 can be keyed by numeric function keys.
- <year> The year can be adjusted by users.

## ► System Time

Sets the system time. Use tab key to switch between time elements. The time format is <hour> <minute> <second>.

## ► SATA PortX/ M2\_X

Shows the information of connected SATA/ M.2 device.



### **Important**

*If the connected SATA device is not displayed, turn off computer and re-check SATA cable and power cable connections of the device and motherboard.*

## ► System Information

Shows detailed system information, including CPU type, BIOS version, and Memory (read only).

## ► DMI Information

Shows system information, desktop Board Information and chassis Information. (Read only).

## Advanced



### ► PCI Subsystem Settings

Sets PCI, PCI express interface protocol and latency timer. Press **Enter** to enter the sub-menu.

#### ► PCI\_E1 - Max Link Speed [Auto]

Sets PCI\_E1 slot speed (from CPU) for matching different installed devices.

#### ► Chipset Gen Switch [Auto]

Sets PCI Express protocol of PCIe x16 slots (from PCH) for matching different installed devices.

[Auto] This item will be configured automatically by BIOS.

[Gen1] Enables PCIe Gen1 support only.

[Gen2] Enables PCIe Gen2 support only.

[Gen3] Enables PCIe Gen3 support only.

#### ► Above 4G memory/ Crypto Currency mining [Disabled]

Enables or disables 64-bit capable devices to be decoded in above 4G address space. It is only available if the system supports 64-bit PCI decoding.

[Enabled] Allows you to utilize more than 4x GPUs.

[Disabled] Disables this function.

#### ► PCI\_E1 Lanes Configuration

PCIe lanes configuration is for MSI M.2 Xpander / MSI M.2 Xpander-Z / Other M.2 PCIe storage card. The options in this item will vary with the installed processor.

### ► ACPI Settings

Sets ACPI parameters of onboard power LED behaviors. Press **Enter** to enter the sub-menu.

### ► Power LED [Blinking]

Sets shining behaviors of the onboard Power LED.

[Dual Color] The power LED turns to another color to indicate the S3 state.

[Blinking] The power LED blinks to indicate the S3 state.

### ► Integrated Peripherals

Sets integrated peripherals' parameters, such as LAN, HDD, USB and audio. Press **Enter** to enter the sub-menu.

#### ► Onboard LAN Controller [Enabled]

Enables or disables the onboard LAN controller.

#### ► LAN Option ROM [Disabled]

Enables or disables the legacy network Boot Option ROM for detailed settings. This item will appear when **Onboard LAN Controller** is enabled.

[Enabled] Enables the onboard LAN Boot ROM.

[Disabled] Disables the onboard LAN Boot ROM.

#### ► Network Stack [Disabled]

Sets UEFI network stack for optimizing IPv4 / IPv6 function. This item is available when Onboard LAN Controller is Enabled.

[Enabled] Enables UEFI network stack.

[Disabled] Disables UEFI network stack.

#### ► Ipv4 PXE Support [Enabled]

When **Enabled**, the system UEFI network stack will support Ipv4 protocol. This item will appear when **Network Stack** is Enabled.

[Enabled] Enables the Ipv4 PXE boot support.

[Disabled] Disables the Ipv4 PXE boot support.

#### ► Ipv6 PXE Support [Enabled]

When **Enabled**, the system UEFI network stack will support Ipv6 protocol. This item will appear when **Network Stack** is enabled.

[Enabled] Enables the Ipv6 PXE boot support.

[Disabled] Disables the Ipv6 PXE boot support.

#### ► SATA Mode [AHCI Mode]

Sets the operation mode of the onboard SATA controller.

[AHCI Mode] Specify the AHCI mode for SATA storage devices. AHCI (Advanced Host Controller Interface) offers some advanced features to enhance the speed and performance of SATA storage device, such as Native Command Queuing (NCQ) and hot-plugging.

[RAID Mode] Enables RAID function for SATA storage devices.

#### ► SATAx Hot Plug [Disabled]

Allows user to enable or disable the SATA hot plug support.

[Enabled] Enables hot plug support for the SATA ports.

[Disabled] Disables hot plug support for the SATA ports.

#### ► HD Audio Controller [Enabled]

Enables or disables the onboard High Definition Audio controller.

### ► **Integrated Graphics Configuration (optional)**

Adjusts integrated graphics settings for optimum system. Press **Enter** to enter the sub-menu.

#### ► **Initiate Graphic Adapter [PEG] (optional)**

Selects a graphics device as the primary boot device.

[IGD]            Integrated Graphics Display.

[PEG]            PCI-Express Graphics Device.

#### ► **Integrated Graphics [Auto] (optional)**

If set to Force, BIOS will enable the integrated graphics controller.

#### ► **UMA Frame Buffer Size [Auto] (optional)**

Selects a fixed amount of system memory allocated to the onboard graphics. This item will be available when **Integrated Graphics** is enabled.

### ► **USB Configuration**

Sets the onboard USB controller and device function. Press **Enter** to enter the sub-menu.

#### ► **XHCI Hand-off [Enabled]**

Enables or disables XHCI hand-off support for the operating system without XHCI hand-off feature.

#### ► **Legacy USB Support [Enabled]**

Sets Legacy USB function support.

[Auto]            The system will automatically detect if any USB device is connected and enable the legacy USB support.

[Enabled]        Enable the USB support under legacy mode.

[Disabled]       The USB devices will be unavailable under legacy mode.

### ► **Super IO Configuration**

Sets system Super I/O chip parameters including LPT and COM ports. Press Enter to enter the sub-menu.

#### ► **Serial (COM) Port 0 Configuration**

Sets detailed configuration of serial(COM) port 0. Press Enter to enter the sub-menu.

#### ► **Serial Port [Enabled]**

Enables or disables serial port.

#### ► **Serial (COM) Port0 Settings [Auto]**

Sets serial port 0. If set to Auto, BIOS will optimize the IRQ automatically or you can set it manually.

### ► **Hardware Monitor**

Sets the fan speeds. Press Enter to enter the sub-menu.

### ► **Power Management Setup**

Sets system Power Management of ErP and AC Power Loss behaviors. Press **Enter** to enter the sub-menu.

### ► ErP Ready [Disabled]

Enables or disables the system power consumption according to ErP regulation.

[Enabled] Optimize the system power consumption according to ErP regulation. It will not support S4 & S5 wake up by USB, PCI and PCIe devices.

[Disabled] Disables this function.

### ► Restore after AC Power Loss [Power Off]

Sets the system behaviors while encountering the AC power loss.

[Power Off] Leaves the system in power off state after restoring AC power.

[Power On] Boot up the system after restoring AC power.

[Last State] Restores the system to the previous state (power on/ power off) before AC power loss.

### ► System Power Fault Protection [Disabled]

Enables or disables the system to boot up when detecting abnormal voltage input.

[Enabled] Protect the system from unexpected power operating and remain the shut down status.

[Disabled] Disables this function.

## ► Windows OS Configuration

Sets Windows detailed configuration and behaviors. Press **Enter** to enter the sub-menu.

### ► BIOS UEFI/CSM Mode [CSM]

Select CSM (Compatibility Support Module) or UEFI mode to meet the system requirement.

[CSM] For the non-UEFI driver add-on devices or non-UEFI mode OS.

[UEFI] For the UEFI driver add-on devices and UEFI mode OS.

### ► GOP Information

Shows the onboard Graphics Output Protocol (GOP) information. Press **Enter** to enter the sub-menu. This sub-menu will appear when **BIOS UEFI/CSM Mode** sets to **UEFI**.

### ► Secure Boot

Sets the Windows secure boot to prevent the unauthorized accessing. Press **Enter** to enter the sub-menu. This sub-menu will appear when **BIOS UEFI/CSM Mode** sets to **UEFI**.

## ► Wake Up Event Setup

Sets system wake up behaviors for different sleep modes. Press **Enter** to enter the sub-menu.

### ► Wake Up Event By [BIOS]

Selects the wake up event by BIOS or operating system.

[BIOS] Activates the following items, set wake up events of these items.

[OS] The wake up events will be defined by OS.

► **Resume By RTC Alarm [Disabled]**

Disables or enables the system wake up by RTC Alarm.

[Enabled] Enables the system to boot up on a scheduled time/ date.

[Disabled] Disables this function.

► **Date (of month) Alarm/ Time (hh:mm:ss) Alarm**

Sets RTC alarm date/ Time. If Resume By RTC Alarm is set to [Enabled], the system will automatically resume (boot up) on a specified date/hour/minute/second in these fields (using the + and - keys to select the date & time settings).

► **Resume By PCI-E Device [Disabled]**

Enables or disables the wake up function of installed PCI-E expansion cards, integrated LAN controllers or USB devices which are supported by third party integrated chips.

[Enabled] Enables the system to be awakened from the power saving modes when activity or input signal of PCIe device is detected.

[Disabled] Disables this function.

► **Resume by USB Device [Disabled]**

Disables or enables system wake up from S3/S4 by USB device.

[Enabled] Enables the system to be awakened from sleep state when activity of USB device is detected.

[Disabled] Disables this function.

► **Resume From S3/S4/S5 by PS/2 Mouse [Disabled]**

Enables or disables the system wake up by PS/2 mouse.

[Enabled] Enables the system to be awakened from S3/ S4/ S5 state when activity of PS/2 mouse is detected.

[Disabled] Disables this function.

► **Resume From S3/S4/S5 by PS/2 Keyboard [Disabled]**

Enables or disables the system wake up by PS/2 keyboard.

[Any Key] Enables the system to be awakened from S3/ S4/ S5 state when activity of any key on PS/2 keyboard is detected.

[Hot Key] Enables the system to be awakened from S3/ S4/ S5 state when activity of hot key on PS/2 keyboard is detected.

[Disabled] Disables this function.

► **Hot Key [Ctrl+Space]**

Selects a combination of keys as a hot key to wake the system. This item appears when you set the **Resume From S3/S4/S5 by PS/2 Keyboard** to **Hot Key**.

► **Realtek PCIe GBE Family Controller**

Shows driver information and configuration of the ethernet controller parameter.



**! Important**

- Overclocking your PC manually is only recommended for advanced users.
- Overclocking is not guaranteed, and if done improperly, it could void your warranty or severely damage your hardware.
- If you are unfamiliar with overclocking, we advise you to use **GAME BOOST** function for easy overclocking.
- The BIOS items in OC menu will vary with the processor.

► **OC Explore Mode [Normal]**

Enables or disables to show the normal or expert version of OC settings.

[Normal] Provides the regular OC settings in BIOS setup.

[Expert] Provides the advanced OC settings for OC expert to configure in BIOS setup.

Note: We use \* as the symbol for the OC settings of Expert mode.

► **CPU Ratio [Auto]**

Sets the CPU ratio that is used to determine CPU clock speed. This item can only be changed if the processor supports this function.

► **Advanced CPU Configuration**

Press **Enter** to enter the sub-menu. User can set the parameters about CPU power/ current. The system may become unstable or unbootable after changing the parameters. If it occurs, please clear the CMOS data and restore the default settings.

### ► **A-XMP [Disabled]**

Please enable A-XMP or select a profile of memory module for overclocking the memory. This item will be available when the installed processor, memory modules and motherboard support this function.

### ► **DRAM Frequency [Auto]**

Sets the DRAM frequency. Please note the overclocking behavior is not guaranteed.

### ► **Adjusted DRAM Frequency**

Shows the adjusted DRAM frequency. Read-only.

### ► **Memory Try It ! [Disabled]**

It can improve memory compatibility or performance by choosing optimized memory preset.

### ► **Advanced DRAM Configuration**

Press **Enter** to enter the sub-menu. User can set the memory timing for each/ all memory channel. The system may become unstable or unbootable after changing memory timing. If it occurs, please clear the CMOS data and restore the default settings. (Refer to the Clear CMOS jumper section to clear the CMOS data, and enter the BIOS to load the default settings.)

### ► **DigitALL Power**

Press **Enter** to enter the sub-menu. Controls the digital powers related to CPU PWM.

#### ► **CPU Loadline Calibration Control [Auto]**

The CPU voltage will decrease proportionally according to CPU loading. Higher load-line calibration could get higher voltage and good overclocking performance, but increase the temperature of the CPU and VRM. If set to **Auto**, BIOS will configure this setting automatically.

#### ► **CPU NB Loadline Calibration Control [Auto]**

The CPU-NB voltage will decrease proportionally according to CPU-NB loading. Higher load-line calibration could get higher voltage and good overclocking performance, but increase the temperature. If set to **Auto**, BIOS will configure this setting automatically.

#### ► **CPU Over Voltage Protection [Auto]**

Sets the voltage limit for CPU over-voltage protection. If set to **Auto**, BIOS will configure this setting automatically. Higher voltage provides less protection and may damage the system.

#### ► **CPU Under Voltage Protection [Auto]**

Sets the voltage limit for CPU under-voltage protection. If set to **Auto**, BIOS will configure this setting automatically. Higher voltage provides less protection and may damage the system.

#### ► **CPU Over Current Protection [Auto]**

Sets the current limit for CPU over-current protection. If set to **Auto**, BIOS will configure this setting automatically.

[Auto] This setting will be configured automatically by BIOS.

[Enhanced] Extends the current range for over-current protection.

#### ► CPU NB/SoC Over Voltage Protection [Auto]

Sets the voltage limit for CPU NB/ SoC over-voltage protection. If set to **Auto**, BIOS will configure this setting automatically. Higher voltage provides less protection and may damage the system.

#### ► CPU NB/SoC Under Voltage Protection [Auto]

Sets the voltage limit for NB/ SoC under-voltage protection. If set to **Auto**, BIOS will configure this setting automatically. Higher voltage provides less protection and may damage the system.

#### ► CPU NB/SoC Over Current Protection [Auto]

Sets the current limit for CPU NB/ SoC over-current protection. If set to **Auto**, BIOS will configure this setting automatically.

[Auto] This setting will be configured automatically by BIOS.

[Enhanced] Extends the current range for over-current protection.

#### ► VR 12VIN OCP Expander [Auto]

Expands the limitation of VR Over Current Protection with 12V input voltage. The higher expanding value indicates less protection. Therefore, please adjust the current carefully if needed, or it may damage the CPU/ VR MOS. If set to "Auto", BIOS will configure this setting automatically.

#### ► CPU Voltages control [Auto]

These options allows you to set the voltages related to CPU. If set to **Auto**, BIOS will set these voltages automatically or you can set it manually.

#### ► DRAM Voltages control [Auto]

These options allows you to set the voltages related to memory. If set to **Auto**, BIOS will set these voltages automatically or you can set it manually.

#### ► CPU Specifications

Press **Enter** to enter the sub-menu. This sub-menu displays the information of installed CPU. You can also access this information menu at any time by pressing [F4]. Read only.

#### ► CPU Technology Support

Press **Enter** to enter the sub-menu. The sub-menu shows the key features of installed CPU. Read only.

#### ► MEMORY-Z

Press **Enter** to enter the sub-menu. This sub-menu displays all the settings and timings of installed memory. You can also access this information menu at any time by pressing [F5].

#### ► DIMMx Memory SPD

Press **Enter** to enter the sub-menu. The sub-menu displays the information of installed memory. Read only.

#### ► CPU Features

Press **Enter** to enter the sub-menu.

► **Global C-state Control [Enabled] (optional)**

Enables/ disables IO based C-state generation and DF C-states.

► **Simultaneous Multi-Threading [Enabled] (optional)**

Enables/ disables the AMD Simultaneous Multi-Threading. This item appears when the installed CPU supports this technology.

► **Opcache Control [Auto] (optional)**

Enables/ disables Opcache. Opcache stores recent decode instruction to save the decoding time when the instruction is repeated. And it may increase the CPU performance and reduce the power consumption slightly.

► **IOMMU Mode (optional)**

Enables/disables the IOMMU (I/O Memory Management Unit) for I/O Virtualization.

► **Spread Spectrum (optional)**

This function reduces the EMI (Electromagnetic Interference) generated by modulating clock generator pulses.

[Enabled] Enables the spread spectrum function to reduce the EMI (Electromagnetic Interference) problem.

[Disabled] Enhances the overclocking ability of CPU Base clock.



**Important**

- *If you do not have any EMI problem, leave the setting at [Disabled] for optimal system stability and performance. But if you are plagued by EMI, select the value of Spread Spectrum for EMI reduction.*
- *The greater the Spread Spectrum value is, the greater the EMI is reduced, and the system will become less stable. For the most suitable Spread Spectrum value, please consult your local EMI regulation.*
- *Remember to disable Spread Spectrum if you are overclocking because even a slight jitter can introduce a temporary boost in clock speed which may just cause your overclocked processor to lock up.*

► **Relaxed EDC throttling [Auto] (optional)**

Relaxed EDC throttling reduces the amount of time the processor will throttle the cores.

[Auto] AMD's recommendation

[Enabled] Reduce the amount of time the processor will throttle.

[Disabled] Part-specific EDC throttling protection enabled.

► **AMD Cool'n'Quiet [Enabled]**

The Cool'n'Quiet technology can effectively and dynamically lower CPU speed and power consumption.

► **SVM Mode [Enabled]**

Enables/ disables the AMD SVM (Secure Virtual Machine) Mode.

► **BIOS PSP Support [Enabled] (optional)**

Enables/ disables the BIOS PSP support. It manages PSP sub-items including all C2P/P2C mailbox, Secure S3, fTPM support.

► **Power Supply Idle Control [Auto] (optional)**

It allows you to select the power-saving control mode for the CPU when all cores are in a non-C0 state. If set to **Auto**, BIOS will configure these settings.

► **CPU VDD\_SoC Current Optimization [Auto] (optional)**

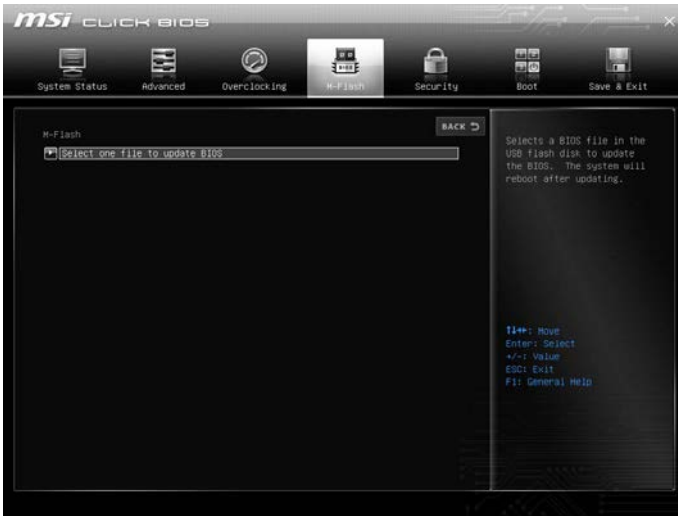
Sets the currents of CPU VDD and SoC. If set to **Auto**, BIOS will configure this setting automatically.

[Auto] This setting will be configured automatically by BIOS.

[Custom Setting] Allows you to set the currents manually.

## M-FLASH

M-FLASH provides the way to update BIOS with a USB flash drive. Please download the latest BIOS file that matches your motherboard model from MSI website, save the BIOS file into your USB flash drive. And then follow the steps below to update BIOS.



### ► Select one file to update BIOS

Selects a BIOS file in the USB flash drive to update the BIOS. The system will reboot after updating.

## Security



### ► Administrator Password

Sets administrator password for system security. User has full rights to change the BIOS items with administrator password. After setting the administrator password, the state of this item will show **Installed**.

### ► User Password

Sets User Password for system security. User has limited rights to change the BIOS items with user password. This item will be available when administrator password is set. After setting the user password, the state of this item will show **Installed**.

### ► Password Check [Setup]

Selects a condition that will request the password.

[Setup]        A password will be requested for entering the BIOS Setup.

[Boot]         A password will be requested for booting the system.

### ► Password Clear [Enabled]

Enables or disables the clear CMOS behavior to clear a set password.

[Enabled]      The password will be erased after clear CMOS.

[Disabled]     The password will always be kept.

## **Important**

*When selecting the Administrator / User Password items, a password box will appear on the screen. Type the password then press **Enter**. The password typed now will replace any previous set password from CMOS memory. You will be prompted to confirm the password. You may also press **Esc** key to abort the selection.*

To clear a set password, press **Enter** when you are prompted to enter a new password. A message will confirm the password is being disabled. Once the password is disabled, you can enter the setup and OS without authorization.

### ► **Trusted Computing**

Sets TPM (Trusted Platform Module) function.

#### ► **Security Device Support [Disabled]**

Enables or disables the TPM function to build the endorsement key for accessing the system.

#### ► **AMD fTPM switch [AMD CPU fTPM]**

Selects TPM device. This item will appear when **Security Device Support** is enabled.

[AMD CPU fTPM]                      Select it for AMD Firmware TPM.

[AMD CPU fTPM Disabled] Select it for Discrete TPM.

#### ► **Device Select [Auto]**

Sets the version of the TPM device. The version must be identical with the device. Sets to **Auto**, system will detect the TPM 2.0 or TPM 1.2 model automatically.

### ► **Chassis Intrusion Configuration**

Press **Enter** to enter the sub-menu.

#### ► **Chassis Intrusion [Disabled]**

Enables or disables recording messages while the chassis is opened. This function is ready for the chassis equips a chassis intrusion switch.

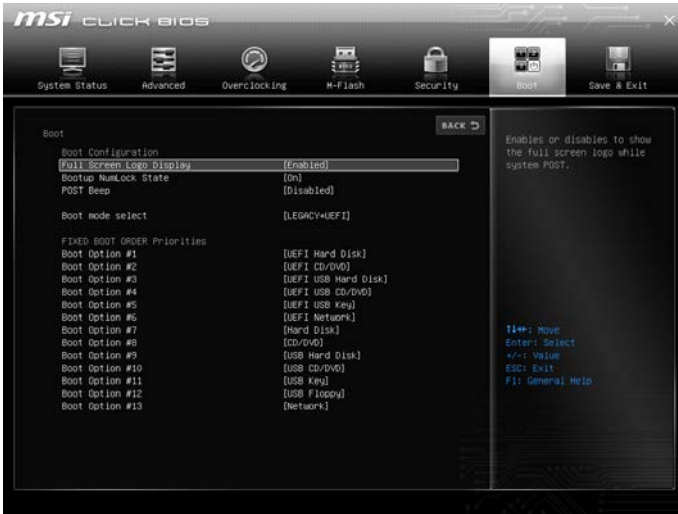
[Enabled]                      Once the chassis is opened, the system will record and issue a warning message.

[Reset]                        Clear the warning message. After clearing the message, please return to **Enabled** or **Disabled**.

[Disabled]                     Disables this function.

## Boot

The Boot Menu allows you to specify the priority of boot devices.



### ► Full Screen Logo Display [Enabled]

Enables or disables to show the full screen logo while system POST.

[Enabled] Shows the logo in full screen.

[Disabled] Shows the POST messages.

### ► Bootup NumLock State [On]

Select the keyboard NumLock state upon bootup.

### ► POST Beep [Disabled]

Enables or disables POST beep.

### ► Boot Mode Select [LEGACY+UEFI]

Sets the system boot mode from legacy or UEFI architecture depending on OS installation requirement. This item will become un-selectable and will be configured automatically by BIOS when **Windows 10 WHQL Support** is enabled.

[UEFI] Enables UEFI BIOS boot mode support only.

[LEGACY+UEFI] Enables both Legacy BIOS boot mode and UEFI BIOS boot mode.

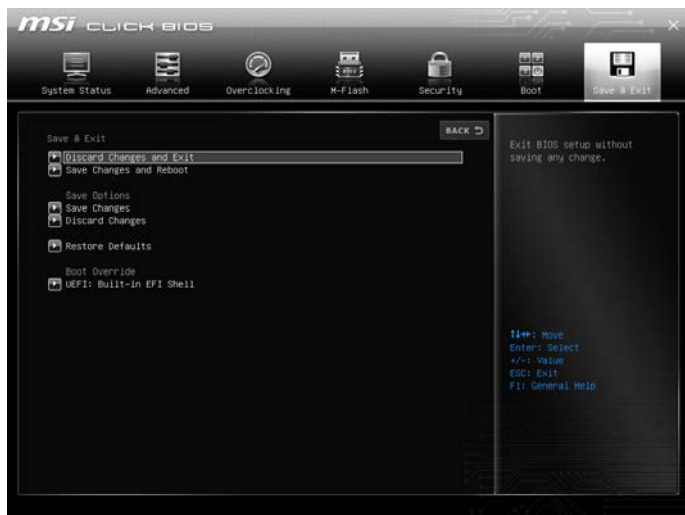
### ► FIXED BOOT ORDER Priorities/ UEFI USB Key Drive BBS Priorities/ USB Key Drive BBS Priorities

Sets device priority for system boot.

### ► Boot Option Priorities

These items are used to prioritize the installed boot devices.

## Save & Exit



### ► Discard Changes and Exit

Exit BIOS setup without saving any change.

### ► Save Changes and Reboot

Save all changes and reboot the system.

### ► Save Changes

Save current changes.

### ► Discard Changes

Discard all changes and restore to the previous values.

### ► Restore Defaults

Restore or load all default values.

### ► Boot Override

The installed boot-able devices will appear on this menu, you can select one of them to be the boot device.

# Software Description

Please download and update the latest utilities and drivers at [www.msi.com](http://www.msi.com)

## Installing Windows® 10

1. Power on the computer.
2. Insert the Windows® 10 installation disc/USB into your computer.
3. Press the **Restart** button on the computer case.
4. Press **F11** key during the computer POST (Power-On Self Test) to get into Boot Menu.
5. Select the Windows® 10 installation disc/USB from the Boot Menu.
6. Press any key when screen shows **Press any key to boot from CD or DVD...** message.
7. Follow the instructions on the screen to install Windows® 10.

## Installing Drivers

1. Start up your computer in Windows® 10.
2. Insert MSI® Driver Disc into your optical drive.
3. Click the **Select to choose what happens with this disc** pop-up notification, then select **Run DVDSetup.exe** to open the installer. If you turn off the AutoPlay feature from the Windows Control Panel, you can still manually execute the **DVDSetup.exe** from the root path of the MSI Driver Disc.
4. The installer will find and list all necessary drivers in the **Drivers/Software** tab.
5. Click the **Install** button in the lower-right corner of the window.
6. The drivers installation will then be in progress, after it has finished it will prompt you to restart.
7. Click **OK** button to finish.
8. Restart your computer.

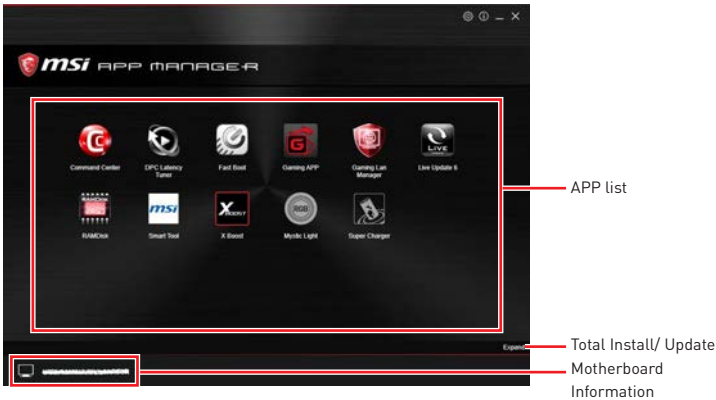
## Installing Utilities


Before you install utilities, you must complete drivers installation.

1. Open the installer as described above.
2. Click the **Utilities** tab.
3. Select the utilities you want to install.
4. Click the **Install** button in the lower-right corner of the window.
5. The utilities installation will then be in progress, after it has finished it will prompt you to restart.
6. Click **OK** button to finish.
7. Restart your computer.

## APP MANAGER

APP MANAGER is a handy management application for integration of MSI applications and software interface. Providing easy shortcut entrance and real-time update information of all the MSI software and applications.



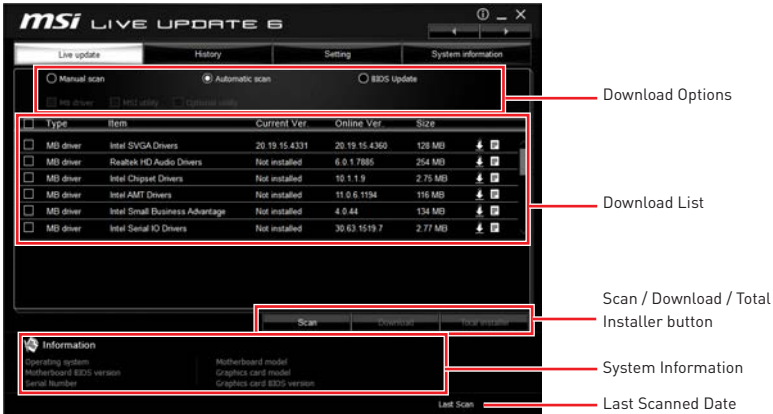
- **APP list** - shows all the applications and software be supported by this motherboard. An icon represents a entrance to the application.
  - **Colorful icon** - a colorful icon means that the application had have been installed successfully and it is available. Double click on desired icon to access the application. A refresh icon  shows to inform you that the application has a update version.
  - **Gray icon** - the icon with gray painting means that the application is not available and you have to install it if necessary. Double click on the gray icon and the update information will show. Click on the **INSTALL** button to install the application.
- **Motherboard Information** - shows the model name of motherboard.
- **Total Install/ Update** - click on this tab to update/ install all the applications.

### **Important**


Please note that, once you uninstall the APP MANAGER, all the MSI applications and software will be uninstalled simultaneously.

## LIVE UPDATE 6

LIVE UPDATE 6 is an application for the MSI® system to scan and download the latest drivers, BIOS, and utilities. With LIVE UPDATE 6, you don't need to search the drivers on websites, and don't need to know the models of motherboard and graphics cards. LIVE UPDATE 6 will download the appropriate drivers automatically.



There are **Live Update**, **History**, **Setting** and **System Information** tabs at the top. You can click the tab to switch the control panel.

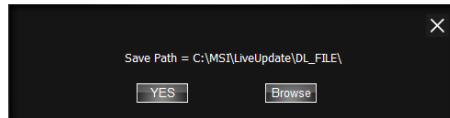
- **Live Update** - When you launch LIVE UPDATE 6, you will see the Live update tab at first. This tab allows you to select files to download. You can also read the relevant information by clicking the information icon  on the right of the item listed.
- **History** - shows the downloading history.
- **Setting** - allows you to specify the frequency that LIVE UPDATE 6 remind you to update.
- **System Information** - displays the information of the system.
- **FAQ** - shows Frequently Asked Questions.
- **Online Help** - shows Online Help information.

### Updating The System

This section describes how to update your system with LIVE UPDATE 6. Please follow the steps below:



1. Select the **Live Update** tab.
2. Choose **Automatic scan**, system will automatically scan all the items and search for the latest update files. Or you can choose **Manual scan** and select the items you wish to scan.
3. Click the **Scan** button at the bottom. It may take several moments to complete the process.
4. When the download list appears, please select the items you intend to update.
5. Click **Download** button at the bottom.
6. When **Save Path** prompt, you can specify a download directory.



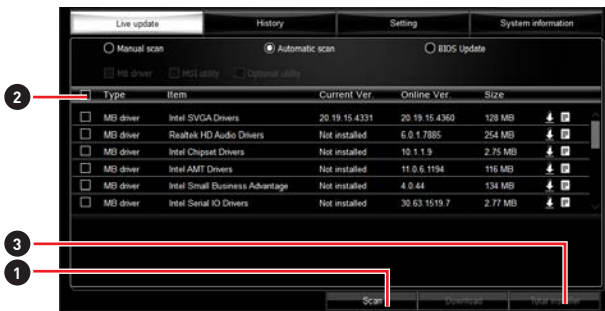
7. When downloading you will see the screen below. It may take several moments to complete the process.

Type	Item	Latest Ver.	Size	Download
MSI utility	Fast Boot	1.0.1.5	1.52 MB	<div style="width: 46%;"></div> 46 %
MSI utility	Super Charger	1.2.026	3.21 MB	

8. To install the applications, simply unpack the packages and install.

## Total Installer

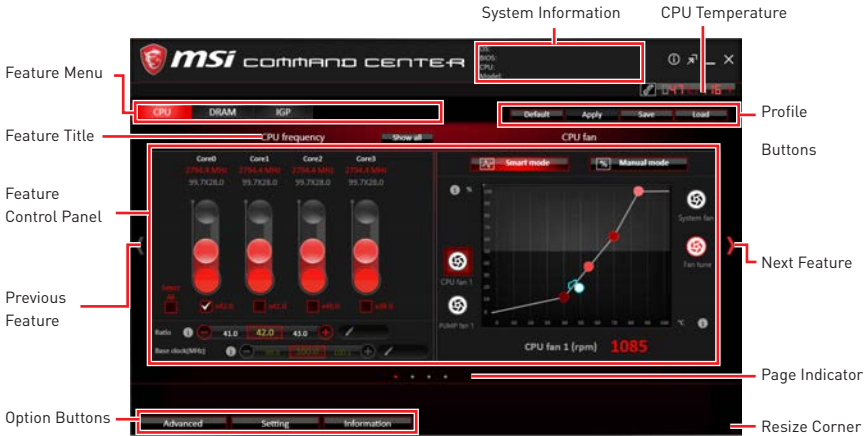
Total Installer is a convenient feature to simplify frequent installing procedure. To use Total Installer:



1. **Scan** updates in **Live Update** tab.
2. Check the **Select All** check-box you intend to update.
3. Click the **Total Installer** button. LIVE UPDATE 6 will automatically install them.
4. When prompted, click **OK** to complete the Total Installer procedure
5. Reboot your system.

# COMMAND CENTER

COMMAND CENTER is an user-friendly software and exclusively developed by MSI, helping users to adjust system settings and monitor status under OS. With the help of COMMAND CENTER, making it possible to achieve easier and efficient monitoring process and adjustments than that under BIOS. In addition, the COMMAND CENTER can be a server for mobile remote control application.



## Profile Buttons



- **Default** - load the default values for the current feature.
- **Apply** - apply your changes.
- **Save** - store values in the file with individual file extension.
- **Load** - load the values from the file.

### **Important**

*Every time you shut down the system, the configured setting will be restored to the factory default. If you want to use the saved settings, you have to load it every time by clicking the **Load** and **Apply** buttons.*

## CPU Frequency

CPU Frequency control panel allows you to change CPU Ratio and Base clock. You can see the current frequency of each CPU core on the top of the panel.



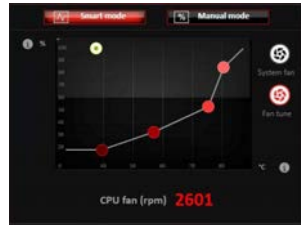
## CPU Fan

CPU Fan control panel provides **Smart mode** and **Manual Mode**. You can switch the control mode by clicking the **Smart Mode** and **Manual Mode** buttons on the top of the CPU Fan control panel.

- **Manual Mode** - allows you to manually control the CPU fan speed by percentage.
- **Smart Mode** - a linear fan speed control feature. The control panel contains 4 dots allows you to drag and adjust the Smart Speed slopes. The fan speed will be changed along these lines with CPU temperature. The white dot will create strip chart in real time.
- **System Fan Button** - to open the system fan control panel in new window.
- **Fan Tune Button** - to automatically optimize the smart fan setting.



Manual Mode



Smart Mode

## CPU Voltage

CPU Voltage control panel allows you to control the CPU voltage.



## DRAM Frequency & DRAM Voltage

- **DRAM Frequency** - Shows the DRAM clock, ratio and frequency.
- **DRAM Voltage** - Allows you to adjust the DRAM voltage. The risky values are displayed in red.



## IGP Frequency & GT Voltage

- **IGP Frequency** - Allows you to adjust the IGP ratio, and shows the IGP clock, ratio and frequency.
- **GT Voltage** - Allows you to adjust the GT voltage. The risky values are displayed in red.



## Option Buttons - Advanced

When click the **Advanced** button, The **Voltage**, **Fan** and **DRAM** icons will appear.



- **Voltage** - allows you to adjust advanced voltage values of CPU and chipset.
- **Fan** - allows you to control the system fans speed.
- **DRAM** - shows the current Advanced DRAM parameters, and allows you to change the settings by selecting values from the drop-down menu on the right hand side.

## Option Buttons - Setting

When click the **Setting** button, The **Record**, **Warning** and **Mobile Control** icons will appear.



- **Record** - allows you to monitor the status of voltage, fan speed and temperature in real time.
  - To filter record charts, select the check box next to the items.
  - When click the **Play** button, the chart pane will start to show the recording chart. If you want to check the value of a specific spot on chart, please move the orange vertical line to the spot.
  - History Record stores the data and names with date and time.
  - To make a history record: Select items and click the **Record** button. When finished, click the **Record** button again. The data will be stored in the drop-down menu.
  - To load a record, click the drop-down menu and select one from the list.
  - To delete a record, select the record that you want to delete, and click the **Trash Can** icon.

• **Warning** - contains fields of voltage, fan speed and temperature for you to set the threshold values. When system detects the status over your settings, a warning message will pop-up.



• **Mobile Control** - is only available for the motherboard with the built-in WiFi module. It allows you to enable/disable the COMMAND CENTER Remote Server. Please refer to the instruction on the Mobile Control control panel.

• **To start remote control: (optional)**

1. Download and install **MSI® COMMAND CENTER APP** to your mobile device.
2. Enable **COMMAND CENTER Remote Server** on the **Mobile Control** panel.
3. Enable **SoftAP Management**.
4. Enter **SSID** and **Password**, and then click the **Apply** button.
5. Activate Wi-Fi® on your mobile device and connect to SoftAP with the SSID.
6. Run **MSI® COMMAND CENTER APP** on your mobile device.
7. Find the IP address on the **SoftAP Management Setting** area, and enter the IP address on your **MSI® COMMAND CENTER APP** to link your system.
8. Press **Refresh** on the **MSI® COMMAND CENTER APP** to verify that monitoring and OC functions are working properly.


**Option Buttons - Information**

When click the **Information** button, The **Motherboard, CPU, Memory** and **HW monitor** icons will appear.




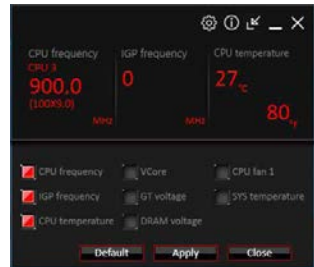
You can click the icons to open the related information.

**Gadget Mode**

COMMAND CENTER provides a gadget mode to monitor the system status. You can switch between gadget mode and full mode by clicking the arrow icon  on the top left.

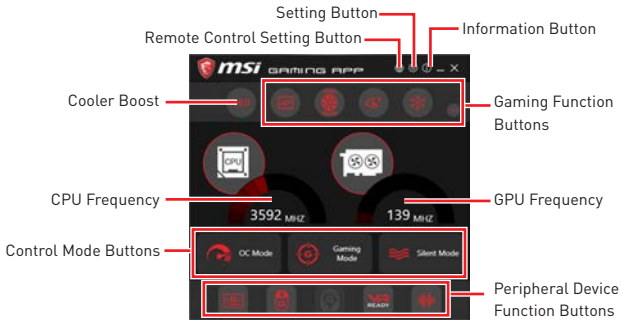
• **To arrange gadgets:**

1. Click the **Spanner icon**  on the Gadget mode, a configuration panel will slide out.
2. Select the check box next to the items.
3. Click the **Close** button.



## GAMING APP

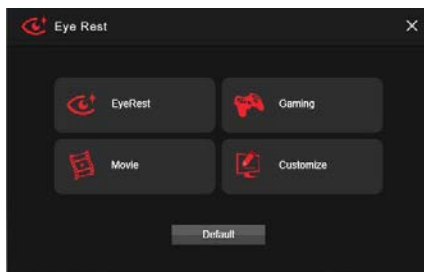
GAMING APP is an application designed to quickly control your system for improving gaming performance.



- **Setting Button** - allows you to choose running GAMING APP when Windows starts or let GAMING APP to overwrite the VGA fan control function.
  - **Information Button** - shows the information of this application.
  - **CPU Frequency** - shows the current CPU frequency.
  - **GPU Frequency** - shows the current GPU frequency.
  - **Control Mode Buttons**
    - **OC Mode** - apply turbo frequency to CPU and OC frequency to GPU.
    - **Gaming Mode** - automatically optimize the CPU ratio and the GPU clock.
    - **Silent Mode** - reverts the CPU ratio and GPU clock to the default values.
  - **Gaming Function Buttons** - allows you to use **OSD** and **Eye Rest** functions.
  - **Peripheral Device Function Buttons** - allows you to set the **Gaming Hotkey, Mouse Master, VR Ready** and **Voice Boost** functions.
  - **Remote Control Setting Button** - available for the motherboards with built-in or discrete WiFi module. It allows you to set up **Name** and **Password** to link the android device and the motherboard. Please follow the steps below to complete the remote control setting.
1. Download and install the **MSI® GAMING APP** APP to your android device.
  2. Set up a set of **Name** and **Password** on the **Remote Control Setting** panel, and then click the **Apply** button.
  3. Connect your android device and motherboard to the same local area network.
  4. Run **MSI® GAMING APP** APP on your android device.
  5. Press the **Remote Control Setting** icon on the **MSI® GAMING APP** APP to find the paired device **Name** you set in the **Remote Control Setting** panel.
  6. Enter the **Password** you set in the **Remote Control Setting** panel.
  7. Finally, you can use the **MSI® GAMING APP** APP to control your motherboard with the android device.

## Eye Rest

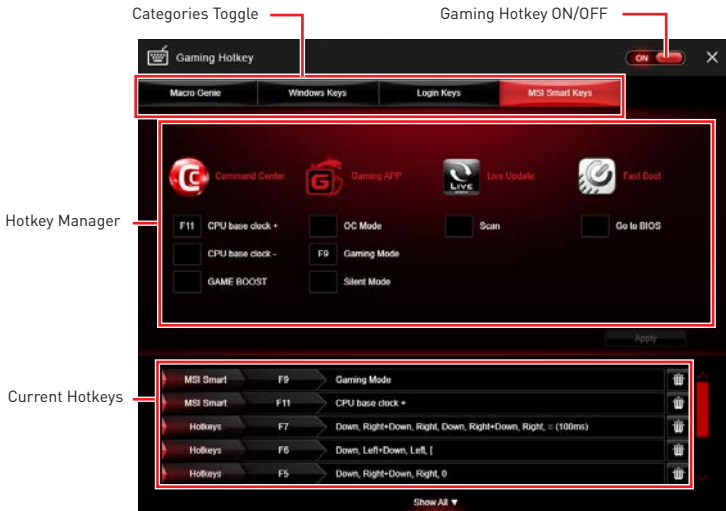
Eye Rest allows you to optimize the display on your monitor.



- **EyeRest** - reduces blue-light of your LED backlit screen, in order to protect your eyes.
- **Gaming** - automatically increase contrast ratio of your screen.
- **Movie** - automatically increase dynamic contrast ratio of your screen.
- **Customize** - allows you to adjust gamma, contrast and color balance for your screen.
- **Default** - loads the default settings.

## Gaming Hotkey

Gaming Hotkey provides instant control of the system through user defined hotkeys.



- **Gaming Hotkey ON/OFF** - allows you to turn ON/OFF the Gaming Hotkey function.
- **Categories Toggle** - allows you to toggle over the Hotkey categories.
  - **Macro Genie** - provides the keyboard and mouse macro record function and allows you to define the hotkeys for the macro recorder.
    1. Click on the **Record** button to start the keyboard and mouse macro recorder.
    2. Click on the **Stop** button to stop the recorder.
    3. Key-in a file name and set-up the parameter for the macro.
    4. Finally, click on the **Save** button to save the recorded macro.
  - **Windows Keys** - allows you to define hotkeys to replace Windows default keyboard shortcuts.
  - **Login Keys** - provides hotkey login function.
  - **MSI Smart Keys** - allows you to define hotkeys for MSI Smart Keys.
- **Hotkey Manager** - allows you to create, edit and delete hotkeys.
- **Current Hotkeys** - shows all existing hotkeys.



### **Important**

- The **Caps Lock**, **Num Lock**, **Scroll Lock**, **Window Home**, **Application** and **BackSpace** keys can not be used as Hotkeys.
- Some key combinations are reserved for use by Microsoft Windows and can not be assigned as a hotkey.

## Mouse Master

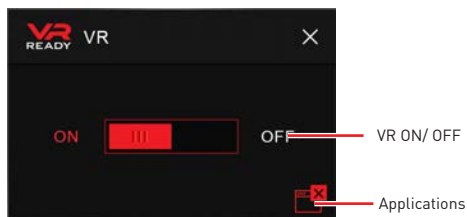
Mouse Master provides mouse macro function. You can also use it to change DPI of your mouse.



- **Delay Time** - allows you to apply a delay time in mouse macro.
- **Macro Hot Key** - allows you to assign a hotkey from A to Z to activate the macro.
- **Mouse Action** - assigns mouse actions to the macro.
  - **New** - captures the mouse coordinate and add to the macro.
  - **Left** - add a left-click to the macro.
  - **Middle** - add a middle-click to the macro.
  - **Left** - add a left-click to the macro.
- **Action List** - shows the actions of the current macro.
- **Edit Buttons** - there 3 buttons for editing the macro.
  - **Run** - activates the macro.
  - **Delete** - removes the selected action from the macro.
  - **Clear** - removes all actions from the macro.
- **Load Button** - allows you to load a macro.
- **Save Button** - allows you to save the macro to a file.
- **DPI Setting** - allows you select the mouse DPI from the drop-down menu.
- **Default Button** - reverts to the default DPI setting.
- **DPI Hot Key** - allows you to assign a hotkey from A to Z to activate the DPI setting. Please note that you muse hold the hotkey to keep the DPI setting. When you release the hotkey, the DPI setting will be reverted to default.
- **Test Area** - allows you to test the mouse movement.
- **Clear Button** - clears the test area.

## VR Ready

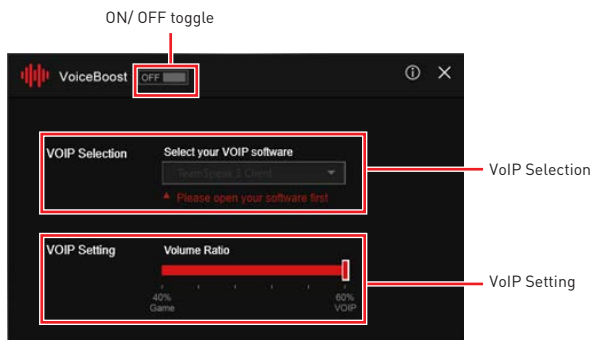
It will optimize the performance of your system to ensure everything is VR Ready.



- **VR ON/ OFF** -enables or disables VR settings.
- **Applications** - appears when you turn on the VR support. It allows you to close some applications to optimize the system for better VR experience.

## Voice Boost

Voice Boost function allows you to boost volume in voice communication tools.



- **ON/ OFF toggle** -enables or disables Voice Boost function.
- **VOIP Selection** - selects your voice communication tool.
- **VOIP Setting** - adjust the volume ratio in voice communication tool.

### **Important**

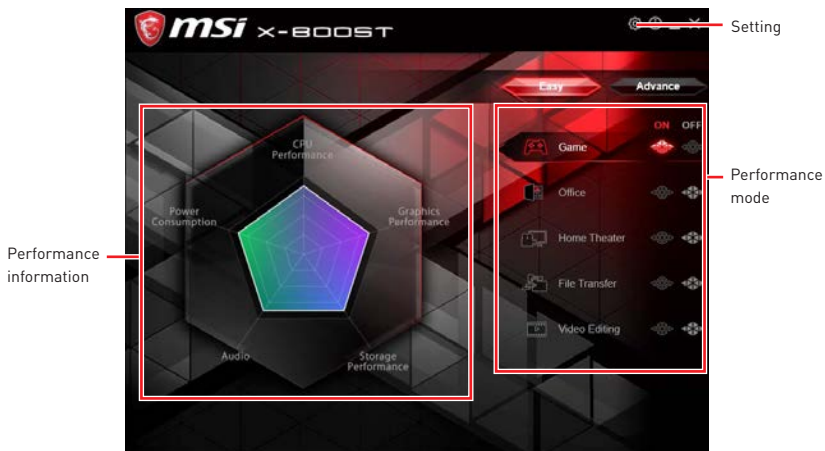
The Voice Boost function is only available with Nahimic 2.5/3 and voice communication tools (TeamSpeak, Raidcall, Skype, SkypeHost and Discord).

## X-BOOST

The MSI **X-BOOST** allows you to select the system performance mode to meet your current system environment or support faster storage access speed for your external storage or memory cards.

### Easy

In **Easy** page, you can select one system performance mode to meet the current system environment.



- **Performance mode** - moves over the mouse to any one of performance mode and click on the **ON** button to enable it.

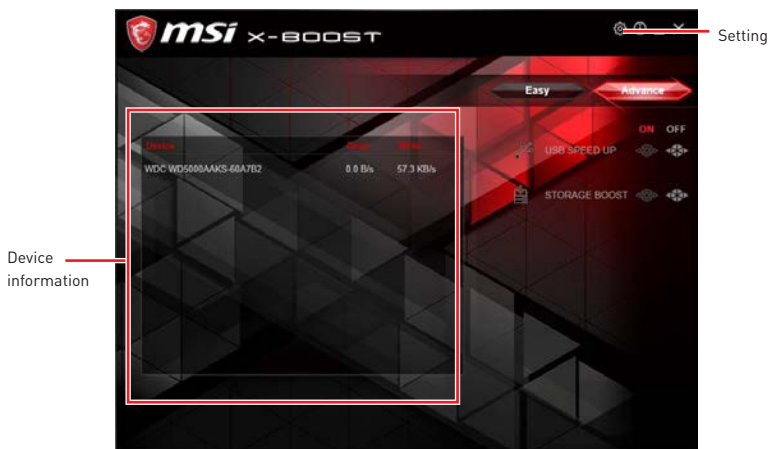
### **Important**

The **Customize** mode is the default of system performance.

- **Performance information** - displays the system performance diagram of enabled mode.
- **Setting** - enables or disables **Run X-BOOST when windows starts**.

## Advance

In **Advance** page, you can enable the **USB SPEED UP**, the **STORAGE BOOST** and **VR BOOST**.



- **Device information** - displays the information and current transfer rates/ access speeds of USB/ storage devices.
- **Setting** - enables or disables **Run X-BOOST when windows starts**.
- **USB SPEED UP** - supports faster data transfer rates of the USB storage devices.
- **STORAGE BOOST** - supports faster access speed of storage device.

### **Important**

- Please note that you can only select one mode at a time from **Easy** or **Advance** page as **MSI X-BOOST** function.
- The improved transfer rate/ access speed will vary with the USB/ storage device.

# MYSTIC LIGHT

MYSTIC LIGHT is an application allows you to control LED lights of MSI products. For some earlier products, you can go to product download page to download the applicable LED control software.

## Main Screen

The Main screen is used to configure what devices need to be synchronized and LED light effect options.



• **ON/OFF ALL LED** - By toggling Off/On here, you disable/enable all the LED on supported gaming gear, memory, graphics card and motherboard etc.

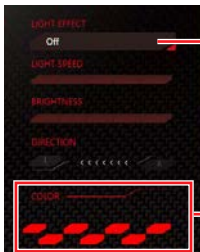


• **SYNC PROFILE** - In this section, you may apply different LED setting to your device.

- **All Sync** - Default: All the Sync device bubble would appear red.



To change the LED color & effect, use the panel on the right hand side to switch to different settings.



Please noted that for light effect, the option would be more or less depending on the devices you have, it will only list the light effects which are available for all included devices.

For the color section, you can always select a different color but it won't apply to the device that does not have such color.

You can also change settings for single device. To do that, you have to click the sync bubble twice and make it turn gray as below.



Then you go to **DEVICE SETTING** and click **SETTING**.



click **SETTING**

After that, the computer will open a different windows and you can modify LED there individually.



**Note:** The motherboard picture and name may vary according to different models.

You can save the current settings by clicking **Save**.

- **Individual** - Default: All the Sync device bubble would appear black.

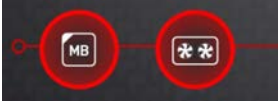


To change color for individual device, use the device setting panel below to lock on any device and click **SETTING** to customize the LED color/effect on it.

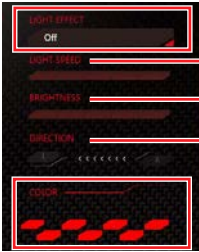


click **SETTING**

If you wish to customize multiple device at the same time, click the bubble until it turn red like below.



Use the **LIGHT EFFECT & COLOR** section on the main menu to make change.



**Note:**

Currently only GTX 1080 Ti Lightning -/X/Z and GTX 1080 Ti Gaming -/X Trio supports Light Speed/Brightness and no device supports Direction.

▪ **Profile01~03** - Save Sync profile settings.

• **Save Button** - saves sync device settings and lighting effect settings to the current Sync Profile.

## Motherboard Screen

The motherboard screen is used to configure the LED light effect of the motherboard.



**Note:** The motherboard picture and name may vary according to different models.

- **Return Button** - returns to the main screen.
- **ON/OFF ALL LED** - allows you to turn ON/ OFF all LED lights of the motherboard.
- **SYNC ALL** - allows you to synchronize all LED light effect of the motherboard.
- **Motherboard Name** - shows the name of the motherboard.
- **Live Preview** - gives you the full experience of your configuration's look, feel while you are editing it.
- **Light Effect Options** - allow you to customize lighting effect of the sync devices.
  - **LIGHT EFFECT** - allows you to change LED light effect.
  - **LIGHT SPEED** - allows you to change LED light speed.
  - **BRIGHTNESS** - allows you to change LED light brightness.

### Note:

Currently only Z370 GODLIKE GAMING, H370 GAMING PRO CARBON and B360 GAMING PRO CARBON support Light Speed/Brightness.

- **COLOR** - allows you to select the color for single light effects (Stack, Breathing, Flashing etc.).
- **Apply Button** - applies lighting effect settings.
- **PROFILE** - manages sets of motherboard LED light effect settings.
- **Save Button** - saves sync device settings and lighting effect settings to the current profile.
- **LED AREA** - switches to the other LED area on the motherboard.

# MYSTIC LIGHT PARTY

This section allows you to control LED across different platform. The pre-requisite is that the platforms should all be connected within the same local network. Refer to device support list web page. <https://www.msi.com/Landing/Mystic-Light-Party>.



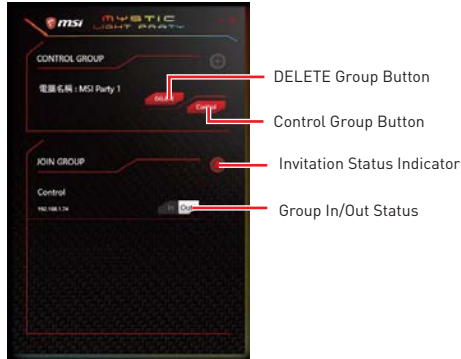
Upon clicking **PARTY**, this window would pop out. On your master platform, click **+** to create a host group.



Enter the group name (3-15 characters) and group array (13-30 columns, 5-30 rows) and click the **CREATE** button.



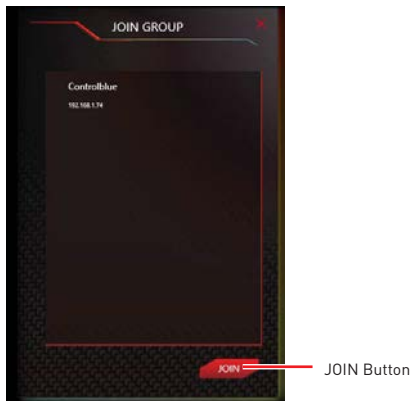
The group has been created. The other computers in the same local network are able to join the group with MYSTIC LIGHT software.



- **DELETE Group Button** - deletes the group.
- **Control Group Button** - enters the group control panel.
- **Invitation Status Indicator** - appears when receive an invitation to a group.
- **Group In/Out Status** - shows Group In/Out status.

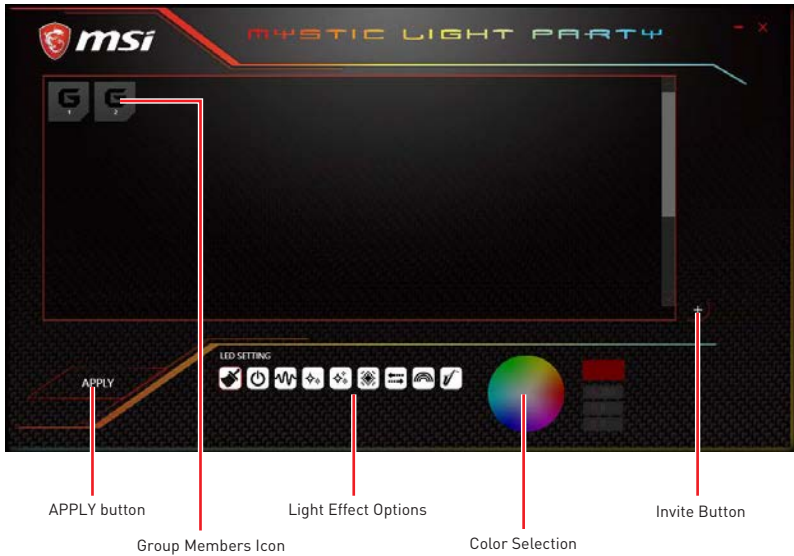
## Joining Group

On your slave platform, click **PARTY** to open MYSTIC LIGHT PARTY interface and click **In** to join the network.



## Group Control Panel

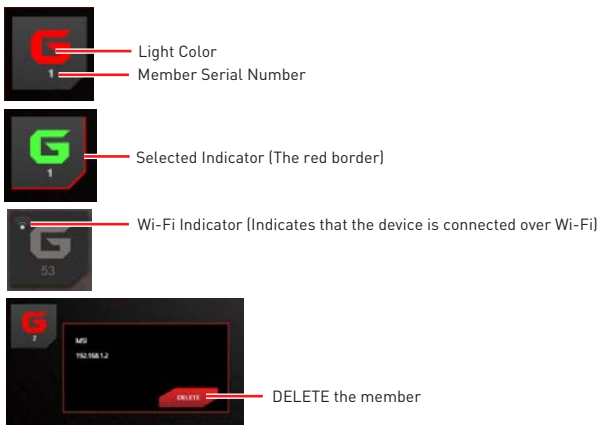
If everything is set up properly, you can see your slave platform on master platform MYSTIC LIGHT PARTY window.



At the panel below, you may apply different LED settings and color to the selected platform.

Please be aware of certain limitation on the devices such as if you apply green color to a red-only device, the LED will stay off since it has on such color or if you apply rainbow to a no-rainbow mode device, the LED will stay on constantly.

• **Group Member Icons** - displays members status, and you can select a member to delete it in the DELETE pop-up window.



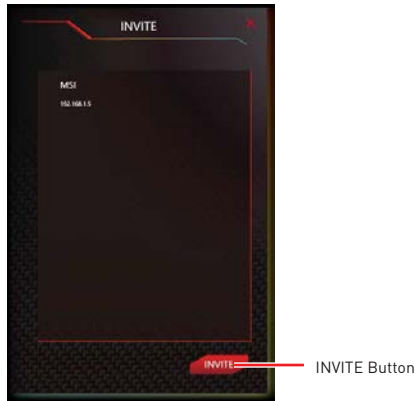
- **Invite Button** - enters the INVITE screen.
- **Light Effect Options** - allow you to customize lighting effect.



- **Color Selection** - allows you to change color.

### Inviting Member

Click the Invite button in the Group Control Panel to enter the INVITE screen. Select the device you want to invite and click the INVITE button.



## SMART TOOL

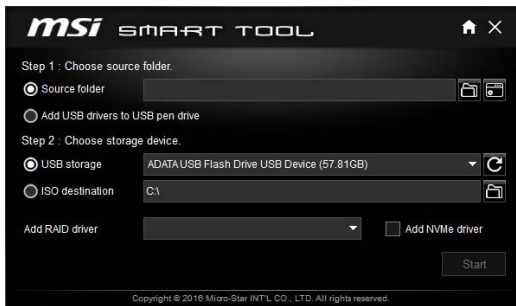
SMART TOOL is a convenient tool that can help you to create your Windows installation USB flash drive, and it can also create a super RAID.

### Main menu

After installing and activating SMART TOOL, it will display a main menu for you to choose **Smart Tool** or **SUPER RAID**. Note that the SUPER RAID is only available when your system equipped with at least 3 hard-disk drives (1 system disk and 2 data disks).

### SMART TOOL

Before you can create your Windows installation USB flash drive, you'll need to have your Windows Installation DVD or ISO file, and also have a minimum of a 8GB USB flash drive to create your installer. Be sure to backup files on the USB drive, this process will erase it.



To create the Windows installation USB drive:

#### Step1. Choose source folder

- In the **Source folder** box, click **Browse** button and select the file from the dialog box. (This option will copy all Windows installation files.)
- **Add USB drivers to USB pan driver** option allows you to add USB driver on the USB pen drive. This option appears depend on the motherboard you purchased.

#### Step2. Choose Storage device

- Choose **USB storage** and select your USB flash drive in the drop-down list. In case the USB flash drive is not listed, click the **Refresh Drive** button.
- If you want to install Windows on the RAID drive, select the RAID driver version from the drop-down menu.
- If you want to add NVMe drive for your NVMe SSD drive, check the Add NVMe driver checkbox.



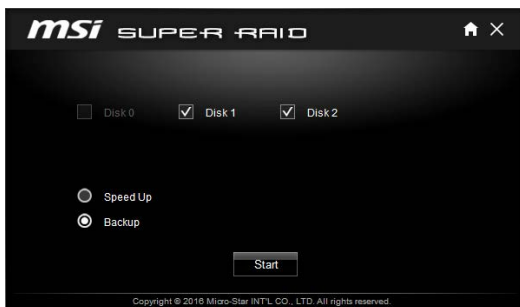
#### **Important**

*You can also create an installer ISO image file by selecting the **ISO destination** in Step2, and then burn it onto the DVD. However, this method does not support **RAID driver**.*

**Step3.** Click the **Start** button.

## SUPER RAID

This utility allows you to create a super RAID in Windows system.



To create a super RAID:

1. Use checkboxes to select the disks you want included in your RAID.
2. Choose **Speed Up** or **Backup** for RAID type.
  - Speed Up = RAID0
  - Backup = RAID1
3. Click **Start**.
4. When prompt **Finish!**, click **OK**.



### **Important**

*SUPER RAID can't include the system disk.*

# AMD RAID Configuration

The following are the RAID levels supported by RAIDXpert2.

- RAID 0** (Striping) breaks the data into blocks which are written to separate hard drives. Spreading the hard drive I/O load across independent channels greatly improves I/O performance.
- RAID 1** (Mirroring) provides data redundancy by mirroring data between the hard drives and provides enhanced read performance.
- RAID 10** (Striped RAID1 Sets) uses four hard drives to create a combination of RAID 0 and 1 by forming a RAID 0 array from two RAID 1 arrays.
- Volume** (JBOD) provides the ability to link-together storage from one or several disks, regardless of the size of the space on those disks. Useful in scavenging space on disks unused by other disks in the array. Does not provide performance benefits or data redundancy.
- RAIDABLE** (also known as RAID Ready) allows the user to add more storage space or create a redundant array after a system is installed.

## RAID level comparison

	RAID 0	RAID 1	RAID 10
Minimum # drives	2	2	4
Data protection	None	Excellent	Excellent
Read performance	Excellent	OK	OK
Write performance	Excellent	Good	Good
Capacity utilization	100%	50%	50%



### **Important**

*All the information/ volumes/ pictures listed in your system might differ from the illustrations in this appendix.*

## Enabling RAIDXpert2 Configuration Utility

### To enter the RAIDXpert2 Configuration Utility menu

1. Power on and press **Delete** key to enter BIOS Setup menu.
2. Go to **BIOS > Advanced > Integrated Peripherals > SATA Mode** and change setting to **RAID Mode**.
3. Go to **BIOS > Advanced > Windows OS Configuration > BIOS UEFI/ CSM Mode** and change setting to **UEFI**.
4. Press **F10** to save configuration and exit, and then reboot and press **Delete** key to enter BIOS Setup menu.
5. Go to **BIOS > Advanced > RAIDXpert2 Configuration Utility** sub-menu.

## Initializing Disks

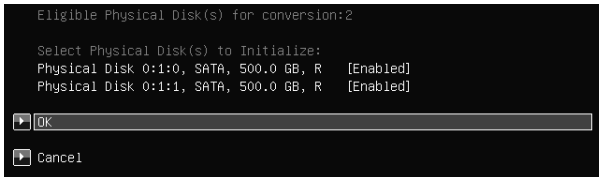
New disks and legacy disks must be initialized before they can be used to create an AMD-RAID array. Initialization writes AMD-RAID configuration information (metadata) to a disk.

### **Important**

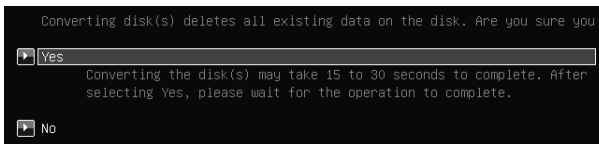
- If a disk is part of an AMD-RAID array, the disk cannot be selected for initialization. To initial the disk anyway, delete the AMD-RAID array. Data on the disk is deleted during initialization so ensure the correct disks are chosen to initialize.
- A legacy disk can contain valid data. When a legacy disk is initialized, all data on the disk is lost.

### To initialize disks

1. As previously mentioned, enable RAIDXpert2 Configuration Utility.
2. Go to **BIOS > Advanced > RAIDXpert2 Configuration Utility > Physical Disk Management > Select Physical Disk Operations > Initialize Disk** sub-menu.



3. Select desired disks by changing the Physical Disk setting to **Enabled**.
4. Select **OK**, then press Enter.



5. Review the warning message, if you want to proceed, select **YES**, then press Enter.
6. Initialization takes 10 to 15 seconds per disk. During initialization, a complete rescan of all channels is done automatically.

## Creating Arrays

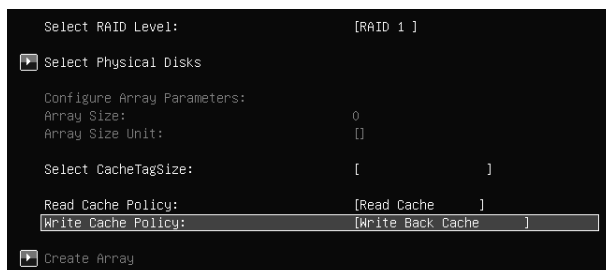
Arrays can be created after the disks are initialized.

### **Important**

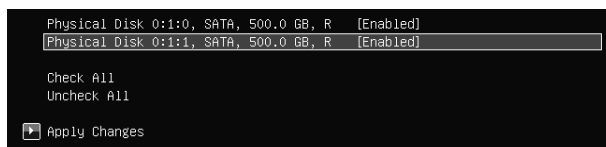
- For redundant arrays, the Create process is not started until after the operating system and AMD-RAID OS drivers have been installed and the system has booted to the operating system. However, the arrays are immediately available to use for either a bootable array or a data array.
- Array numbers are valid only for a given boot and might be different in the RAIDxpert2 Configuration Utility and RAIDxpert2. If a permanent label is required, use the RAIDxpert2 Web GUI Array Naming feature.
- At any point in the procedure, return to a prior window by pressing ESC.
- If the system is booted from an AMD-RAID bootable array, the first array in the Arrays section must be the bootable array. The system boots only from the first array in the Arrays section.

### To create an array

1. As previously mentioned, enable RAIDxpert2 Configuration Utility.
2. Go to **BIOS > Advanced > RAIDxpert2 Configuration Utility > Array Management > Create Array** sub-menu.



3. Select the RAID level from the **Select RAID Level** drop down menu.
4. Enter **Select Physical Disks** sub-menu, select member disks by changing the Physical Disk setting to **Enabled**.



5. Select **Apply Changes**, then press Enter to apply and go back to previous sub-menu.
6. Change the **Select CacheTagSize**, **Read Cache Policy** and **Write Cache Policy** settings according to your needs.
7. Select **Create Array**, then press Enter.

## Deleting Arrays

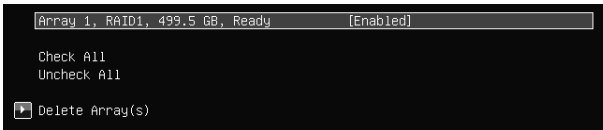


### Important

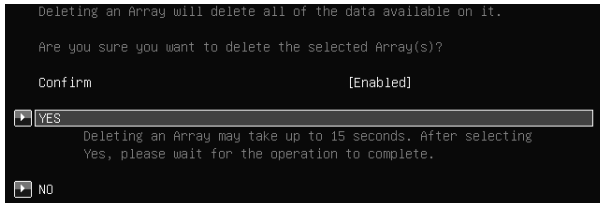
- *Deleting an array permanently destroys all data that is on the array. This action cannot be undone and it is very unlikely that the data can be recovered.*
- *Do not delete the first array listed in the Arrays section, if it is the AMD-RAID bootable array. Doing this deletes the operating system and AMD-RAID files.*

### To delete an array

1. As previously mentioned, enable RAIDxpert2 Configuration Utility.
2. Go to **BIOS > Advanced > RAIDxpert2 Configuration Utility > Array Management > Delete Array** sub-menu.



3. Select the desired array and change the setting to **Enabled**.
4. Enter **Delete Array(s)** sub-menu.



5. Review the warning message, if you want to proceed, Select **Confirm** and change the setting to **Enabled**.
6. Select **YES** then press Enter.

## Installing RAID Driver

### New Operating System Installation

The following details the installation of the drivers while installing operating system.

1. During the operating system installation, after selecting the location to install Windows click on **Load driver** button to install a third party RAID driver.
2. When prompted, insert the USB flash drive with **AMD RAID Drivers** and then click **Browse**.
  - To make an **AMD RAID Drivers** USB flash drive. Insert the MSI Driver Disc into the optical drive. Copy all the contents in \\Storage\AMD\Packages\Drivers\SBDrv\
3. Navigate to the directory containing the saved AMD RAID drivers, then click **OK**.
4. Select the **(rcbottom.inf)** driver, click **Next**.
5. When prompted, click **OK**.
6. Click **Browse** and navigate to the directory containing the saved AMD RAID drivers again, then click **OK**.
7. Select the **(rcraid.inf)** driver, click **Next**.
8. You have successfully installed the RAID driver, and Windows setup should continue.
9. Leave the disk/ USB drive in the computer until the system reboots itself. Windows setup will need to copy the files after the RAID volume is formatted, and Windows setup starts copying files.

### AMD RAIDxpert2 Management Suite Installation

1. Set the **SATA Mode** to **RAID Mode** in BIOS
2. Insert the MSI Driver Disc into the optical drive.
3. Click the **Select to choose what happens with this disc** pop-up notification, then select **Run DVDSSetup.exe** to open the installer. If you turn off the AutoPlay feature from the Windows Control Panel, you can still manually execute the **DVDSSetup.exe** from the root path of the MSI Driver Disc.
4. Under the **Drivers/Software** tab, check the **AMD RAID Drivers** check-box.
5. Click the **Install** button.
6. When prompt you to restart, click **OK** button to finish.
7. Restart your computer and enter the Windows operating system.
8. Double-click the **RAIDxpert2** icon to open the RAIDxpert2 Web GUI.
  - Default credentials are:
    - Username - **admin**
    - Password - **admin**
9. Change the credentials:
  - Create new username and password
10. Re-log into the RAIDxpert2 Web GUI with the new credentials.

# Troubleshooting

Before sending the motherboard for RMA repair, try to go over troubleshooting guide first to see if your got similar symptoms as mentioned below.

## The power is not on.

- Connect the AC power cord to an electrical outlet securely.
- Check if all ATX power connectors like **ATX\_PWR1**, **CPU\_PWR1~2** are connected from the power supply to the motherboard?
- Some power supply units have a power button on the rear side, make sure the button is turned on.
- Check if the power switch cable is connected to **JFP1** pin header properly.
- Verify the **Clear CMOS** jumper **JBAT1** is set to **Keep DATA**.
- Test with another known working power supply of equal or greater wattage.

## The power is on, but no signal to monitor

- Connect the monitor power cord to a electrical outlet securely.
- Make sure the monitor is turned on.
- Select different inputs on the monitor.
- If 3 long beeps are heard, remove all memory modules and try to install only one memory module in the **DIMMA2** slot first and then restart the computer.
- If 1 long 2 short beeps are heard, remove and reinstall the graphics card and then restart the computer.
- Test with another known working graphics card.

## The computer does not boot after updating the BIOS

- Clear the CMOS.
- Use the secondary BIOS to bootup the system (Only for motherboard with Dual BIOS)

## Lost BIOS password

- Clear the CMOS, but that will cause you to lose all customized settings in the BIOS.

## There is no audio

- Adjust the volume.
- Connect the speakers/headphones to audio ports on the motherboard rear IO panel.
- Remove secondary speakers/headphones, HDMI™ cables, USB audio devices.
- Test with another known working speaker or headphone.

## There is no network

- Make sure the network chipset driver has been installed.
- Verify if the network cable is properly connected and make sure the LAN port LEDs are properly illuminated.
- Verify your TCP/IP settings.
- Restart or reset your router.
- Test with another known working LAN cable.

## The USB device is not working

- Make sure your USB drive driver has been installed.
- Verify if USB device is listed in Windows® Device Manager.
- Connect the USB device to other USB port on the motherboard rear IO panel.

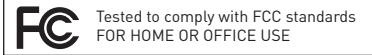
# Regulatory Notices

## FCC Compliance Statement

Note: This equipment has been tested and found to comply with the limits for a Class B digital device, pursuant to part 15 of the FCC Rules. These limits are designed to provide reasonable protection against harmful interference in a residential installation. This equipment generates, uses and can radiate radio frequency energy and, if not installed and used in accordance with the instructions, may cause harmful interference to radio communications. However, there is no guarantee that interference will not occur in a particular installation. If this equipment does cause harmful interference to radio or television reception, which can be determined by turning the equipment off and on, the user is encouraged to try to correct the interference by one or more of the following measures:

- Reorient or relocate the receiving antenna.
- Increase the separation between the equipment and receiver.
- Connect the equipment into an outlet on a circuit different from that to which the receiver is connected.
- Consult the dealer or an experienced radio/TV technician for help.

Caution: Changes or modifications not expressly approved by the party responsible for compliance could void the user's authority to operate the equipment.



This device complies with part 15 of the FCC Rules. Operation is subject to the following two conditions: (1) This device may not cause harmful interference, and (2) this device must accept any interference received, including interference that may cause undesired operation.

## CE Conformity

**CE** Products bearing the CE marking comply with one or more of the following EU Directives as may be applicable: RED 2014/53/EU; Low Voltage Directive 2014/35/EU; EMC Directive 2014/30/EU; RoHS Directive 2011/65/EU. Compliance with these directives is assessed using applicable European Harmonized Standards. The point of contact for regulatory matters is MSI, MSI-NL Eindhoven 5706 5692 ER Son.

## B급 기기 (가정용 방송통신기자재)

**K** 이 기기는 가정용(B급) 전자파적합기기로서 주로 가정에서 사용하는 것을 목적으로 하며, 모든 지역에서 사용할 수 있습니다.

## クラスB情報技術装置

**VCCI** この装置は、クラスB情報技術装置です。この装置は、家庭環境で使用することを目的としていますが、この装置がラジオやテレビジョン受信機に近接して使用されると、受信障害を引き起こすことがあります。取扱説明書に従って正しい取り扱いをして下さい。

YCCI-B

## C-Tick Compliance



## Battery Information

European Union:



Batteries, battery packs, and accumulators should not be disposed of as unsorted household waste. Please use the public collection system to return, recycle, or treat them in compliance with the local regulations.

Taiwan:



廢電池請回收  
For better environmental protection, waste batteries should be collected separately for recycling or special disposal.

California, USA:



The button cell battery may contain perchlorate material and requires special handling when recycled or disposed of in California.

For further information please visit:

<http://www.dtsc.ca.gov/hazardouswaste/perchlorate/>

CAUTION: There is a risk of explosion, if battery is incorrectly replaced.

Replace only with the same or equivalent type recommended by the manufacturer.

## Chemical Substances Information

In compliance with chemical substances regulations, such as the EU REACH Regulation (Regulation EC No. 1907/2006 of the European Parliament and the Council), MSI provides the information of chemical substances in products at:

[http://www.msi.com/html/popup/csr/evmtprrt\\_pcm.html](http://www.msi.com/html/popup/csr/evmtprrt_pcm.html)

## Environmental Policy

- The product has been designed to enable proper reuse of parts and recycling and should not be thrown away at its end of life.
- Users should contact the local authorized point of collection for recycling and disposing of their end-of-life products.
- Visit the MSI website and locate a nearby distributor for further recycling information.
- Users may also reach us at [gpcontdev@msi.com](mailto:gpcontdev@msi.com) for information regarding proper Disposal, Take-back, Recycling, and Disassembly of MSI products.



## WEEE (Waste Electrical and Electronic Equipment) Statement

ENGLISH

To protect the global environment and as an environmentalist, MSI must remind you that...

Under the European Union ("EU") Directive on Waste Electrical and Electronic Equipment, Directive 2002/96/EC, which takes effect on August 13, 2005, products of "electrical and electronic equipment" cannot



be discarded as municipal wastes anymore, and manufacturers of covered electronic equipment will be obligated to take back such products at the end of their useful life. MSI will comply with the product take back requirements at the end of life of MSI-branded products that are sold into the EU. You can return these products to local collection points.

#### DEUTSCH

Hinweis von MSI zur Erhaltung und Schutz unserer Umwelt  
Gemäß der Richtlinie 2002/96/EG über Elektro- und Elektronik-Altgeräte dürfen Elektro- und Elektronik-Altgeräte nicht mehr als kommunale Abfälle entsorgt werden. MSI hat europaweit verschiedene Sammel- und Recyclingunternehmen beauftragt, die in die Europäische Union in Verkehr gebrachten Produkte, am Ende seines Lebenszyklus zurückzunehmen. Bitte entsorgen Sie dieses Produkt zum gegebenen Zeitpunkt ausschließlich an einer lokalen Altgerätesammelstelle in Ihrer Nähe.

#### FRANÇAIS

En tant qu'écologiste et afin de protéger l'environnement, MSI tient à rappeler ceci...  
Au sujet de la directive européenne (EU) relative aux déchets des équipements électriques et électroniques, directive 2002/96/EC, prenant effet le 13 août 2005, que les produits électriques et électroniques ne peuvent être déposés dans les décharges ou tout simplement mis à la poubelle. Les fabricants de ces équipements seront obligés de récupérer certains produits en fin de vie. MSI prendra en compte cette exigence relative au retour des produits en fin de vie au sein de la communauté européenne. Par conséquent vous pouvez retourner localement ces matériels dans les points de collecte.

#### РУССКИЙ

Компания MSI предпринимает активные действия по защите окружающей среды, поэтому напоминаем вам, что....  
В соответствии с директивой Европейского Союза (ЕС) по предотвращению загрязнения окружающей среды использованным электрическим и электронным оборудованием (директива WEEE 2002/96/EC), вступающей в силу 13 августа 2005 года, изделия, относящиеся к электрическому и электронному оборудованию, не могут рассматриваться как бытовой мусор, поэтому производители вышеперечисленного электронного оборудования обязаны принимать его для переработки по окончании срока службы. MSI обязуется соблюдать требования по приему продукции, проданной под маркой MSI на территории ЕС, в переработку по окончании срока службы. Вы можете вернуть эти изделия в специализированные пункты приема.

#### ESPAÑOL

MSI como empresa comprometida con la protección del medio ambiente, recomienda:  
Bajo la directiva 2002/96/EC de la Unión Europea en materia de desechos y/o equipos electrónicos, con fecha de rigor desde el 13 de agosto de 2005, los productos clasificados como "eléctricos y equipos electrónicos" no pueden ser depositados en los contenedores habituales de su municipio, los fabricantes de equipos electrónicos, están obligados a hacerse cargo de dichos productos al término de su período de vida. MSI estará comprometido con los términos de recogida de sus productos vendidos en

la Unión Europea al final de su periodo de vida. Usted debe depositar estos productos en el punto limpio establecido por el ayuntamiento de su localidad o entregar a una empresa autorizada para la recogida de estos residuos.

#### NEDERLANDS

Om het milieu te beschermen, wil MSI u eraan herinneren dat....  
De richtlijn van de Europese Unie (EU) met betrekking tot Veruiling van Electrische en Electronische producten (2002/96/EC), die op 13 Augustus 2005 in zal gaan kunnen niet meer beschouwd worden als vervuiling. Fabrikanten van dit soort producten worden verplicht om producten retour te nemen aan het eind van hun levenscyclus. MSI zal overeenkomstig de richtlijn handelen voor de producten die de merknaam MSI dragen en verkocht zijn in de EU. Deze goederen kunnen geretourneerd worden op lokale inzamelingspunten.

#### SRPSKI

Da bi zaštitili prirodnu sredinu, i kao preduzeće koje vodi računa o okolini i prirodnoj sredini, MSI mora da vas podesti da...  
Po Direktivi Evropske unije ("UE") o odbačenoj eelektronskoj i električnoj opremi, Direktiva 2002/96/EC, koja stupa na snagu od 13. Avgusta 2005, proizvođi koji spadaju pod "elektronsku i električnu opremu" ne mogu više biti odbačeni kao običan otpad i proizvođači ove opreme biće prinuđeni da uzmu natrag ove proizvode na kraju njihovog uobičajenog veka trajanja. MSI će poštovati zahtev o preuzimanju ovakvih proizvoda kojima je istekao vek trajanja, koji imaju MSI oznaku i koji su prodati u EU. Ove proizvode možete vratiti na lokalnim mestima za prikupljanje.

#### POLSKI

Aby chronić nasze środowisko naturalne oraz jako firma dbająca o ekologię, MSI przypomina, że...  
Zgodnie z Dyrektywą Unii Europejskiej ("UE") dotycząca odpadów produktów elektrycznych i elektronicznych (Dyrektywa 2002/96/EC), która wchodzi w życie 13 sierpnia 2005, tzw. "produkty oraz wyposażenie elektryczne i elektroniczne" nie mogą być traktowane jako śmieci komunalne, tak więc producenci tych produktów będą zobowiązani do odbierania ich w momencie gdy produkt jest wycofywany z użycia. MSI wypełni wymagania UE, przyjmując produkty (sprzedawane na terenie Unii Europejskiej) wycofywane z użycia. Produkty MSI będzie można zwracać w wyznaczonych punktach zbiorczych.

#### TÜRKÇE

Çevreci özelliğiyle bilinen MSI dünyada çevreyi korumak için hatırlatır:  
Avrupa Birliği (AB) Kararnamesi Elektrik ve Elektronik Malzeme Atığı, 2002/96/EC Kararnamesi altında 13 Ağustos 2005 tarihinden itibaren geçerli olmak üzere, elektrikli ve elektronik malzemeler diğer atıklar gibi çöpe atılmayacak ve bu elektronik cihazların üreticileri, cihazların kullanım süreleri bittikten sonra ürünleri geri toplamakla yükümlü olacaktır. Avrupa Birliği'ne satılan MSI markalı ürünlerin kullanım süreleri bittiğinde MSI ürünlerin geri alınması isteği ile işbirliği içerisinde olacaktır. Ürünlerinizi yerel toplama noktalarına bırakabilirsiniz.

#### ČESKY

Záleží nám na ochraně životního prostředí - společnost MSI upozorňuje...  
Podle směrnice Evropské unie ("UE") o likvidaci elektrických a elektronických výrobků 2002/96/

EC platné od 13. srpna 2005 je zakázáno likvidovat "elektrické a elektronické výrobky" v běžném komunálním odpadu a výrobci elektronických výrobků, na které se tato směrnice vztahuje, budou povinni odebrat takové výrobky zpět po skončení jejich životnosti. Společnost MSI splní požadavky na odebrání výrobků značky MSI, prodávaných v zemích EU, po skončení jejich životnosti. Tyto výrobky můžete odevzdat v místních sběrnách.

#### MAGYAR

Annak érdekében, hogy környezetünket megvédjük, illetve környezetvédeként fellépve az MSI emlékezteti Önt, hogy ...

Az Európai Unió („EU”) 2005. augusztus 13-án hatályba lépő, az elektromos és elektronikus berendezések hulladékaikról szóló 2002/96/EK irányelve szerint az elektromos és elektronikus berendezések többé nem kezelhetők lakossági hulladékként, és az ilyen elektronikus berendezések gyártói kötelesek válnak az ilyen termékek visszavételére azok hasznos élettartama végén. Az MSI betartja a termék visszavételével kapcsolatos követelményeket az MSI márkánév alatt az EU-n belül értékesített termékek esetében, azok élettartamának végén. Az ilyen termékeket a legközelebbi gyűjtőhelyre viheti.

#### ITALIANO

Per proteggere l'ambiente, MSI, da sempre amica della natura, ti ricorda che...

In base alla Direttiva dell'Unione Europea (EU) sullo Smtaltimento dei Materiali Elettrici ed Elettronici, Direttiva 2002/96/EC in vigore dal 13 Agosto 2005, prodotti appartenenti alla categoria dei Materiali Elettrici ed Elettronici non possono più essere eliminati come rifiuti municipali: i produttori di detti materiali saranno obbligati a ritirare ogni prodotto alla fine del suo ciclo di vita. MSI si adegnerà a tale Direttiva ritirando tutti i prodotti marchiati MSI che sono stati venduti all'interno dell'Unione Europea alla fine del loro ciclo di vita. È possibile portare i prodotti nel più vicino punto di raccolta

## 日本JIS C 0950材質宣言

日本工業規格JIS C 0950により、2006年7月1日以降に販売される特定分野の電気および電子機器について、製造者による含有物質の表示が義務付けられます。

[http://www.msi.com/html/popup/csr/cemm\\_jp.html](http://www.msi.com/html/popup/csr/cemm_jp.html)

[http://tw.msi.com/html/popup/csr\\_tw/cemm\\_jp.html](http://tw.msi.com/html/popup/csr_tw/cemm_jp.html)

## India RoHS

This product complies with the "India E-waste (Management and Handling) Rule 2011" and prohibits use of lead, mercury, hexavalent chromium, polybrominated biphenyls or polybrominated diphenyl ethers in concentrations exceeding 0.1 weight % and 0.01 weight % for cadmium, except for the exemptions set in Schedule 2 of the Rule.

## Türkiye EEE yönetmeliği

Türkiye Cumhuriyeti: EEE Yönetmeliğine Uygundur

## Україна обмеження на наявність небезпечних речовин

Обладнання відповідає вимогам Технічного регламенту щодо обмеження Використання деяких небезпечних речовин в електричному та електронному обладнанні, затвердженого постановою Кабінету Міністрів України від 3 грудня 2008 № 1057.

## Việt Nam RoHS

Kể từ ngày 01/12/2012, tất cả các sản phẩm do công ty MSI sản xuất tuân thủ Thông tư số 30/2011/TT-BCT quy định tạm thời về giới hạn hàm lượng cho phép của một số hóa chất độc hại có trong các sản phẩm điện, điện tử"

## Wireless Radio Use

This device is restricted to indoor use when operating in the 2.4GHz, 5GHz frequency band.

Cet appareil doit être utilisé à l'intérieur.

당해 무선설비는 운용중 전파혼신 가능성이 있음.

この製品は、周波数帯域 2.4GHz, 5GHz で動作しているときは、屋内においてのみ使用可能です。

### NCC無線設備警告聲明


工作頻率 2.4GHz, 5GHz 該频段限於室內使用。經型式認證合格之低功率射頻電機，非經許可，公司、商號或使用者均不得擅自變更頻率、加大功率或變更原設計之特性及功能。

低功率射頻電機之使用不得影響飛航安全及干擾合法通信；經發現有干擾現象時，應立即停用，並改善至無干擾時方得繼續使用。前項合法通信，指依電信法規定作業之無線電通信。低功率射頻電機須忍受合法通信或工業、科學及醫療用電波輻射性電機設備之干擾。

### Products with radio functionality (EMF)

This product incorporates a radio transmitting and receiving device. For computers in normal use, a separation distance of 20 cm ensures that radio frequency exposure levels comply with EU requirements. Products designed to be operated at closer proximities, such as tablet computers, comply with applicable EU requirements in typical operating positions. Products can be operated without maintaining a separation distance unless otherwise indicated in instructions specific to the product.


### Restrictions for products with radio functionality

 CAUTION: IEEE 802.11x wireless LAN with 5.15–5.35 GHz frequency band is restricted for indoor use only in all European Union member states, EFTA (Iceland, Norway, Liechtenstein), and most other European countries (e.g., Switzerland, Turkey, Republic of Serbia). Using this WLAN application outdoors might lead to interference issues with existing radio services.

### Radio frequency bands and maximum power levels

Features	:802.11 a/b/g/n/ac, BT
Frequency Range	:2.4GHz, 5GHz
Modulation	:FHSS, DSSS, OFDM
Power Output	:10, 20, 23
Channel Band Width	:1, 5, 20, 40, 80MHz

## 产品中有害物质的名称及含量

部件名称	有害物质					
	铅 (Pb)	汞 (Hg)	镉 (Cd)	六价铬 (Cr(VI))	多溴联苯 (PBB)	多溴二苯醚 (PBDE)
印刷电路板组件*	×	○	○	○	○	○
电池** 	×	○	○	○	○	○
外部信号连接头	×	○	○	○	○	○
线材	×	○	○	○	○	○

本表格依据 SJ/T 11364 的规定编制。

○：表示该有害物质在该部件所有均质材料中的含量均在 GB/T 26572 规定的限量要求以下。

×：表示该有害物质至少在该部件的某一均质材料中的含量超出 GB/T 26572 规定的限量要求，但所有部件都符合欧盟 RoHS 要求。

\* 印刷电路板组件：包括印刷电路板及其构成的零部件。

\*\* 电池本体上如有环保使用期限标识，以本体标识为主。

■ 上述有毒有害物质或元素清单会依型号之部件差异而有所增减。

■ 产品部件本体上如有环保使用期限标识，以本体标识为主。

## 限用物質含有情況標示聲明書

單元	限用物質及其化學符號					
	鉛 (Pb)	汞 (Hg)	鎘 (Cd)	六價鉻 (Cr <sup>VI</sup> )	多溴聯苯 (PBB)	多溴二苯醚 (PBDE)
電路板	○	○	○	○	○	○
電子元件	—	○	○	○	○	○
金屬機構件	—	○	○	○	○	○
塑膠機構件	○	○	○	○	○	○

備考 1. “超出 0.1 wt %” 及 “超出 0.01 wt %” 係指限用物質之百分比含量超出百分比含量基準值。

備考 2. “○” 係指該項限用物質之百分比含量未超出百分比含量基準值。

備考 3. “—” 係指該項限用物質為排除項目。

## Copyright

**msi** Micro-Star Int'l Co., Ltd.  
Copyright © 2019 All rights reserved.

The MSI logo used is a registered trademark of Micro-Star Int'l Co., Ltd. All other marks and names mentioned may be trademarks of their respective owners. No warranty as to accuracy or completeness is expressed or implied. MSI reserves the right to make changes to this document without prior notice.

## Technical Support

If a problem arises with your system and no solution can be obtained from the user guide, please contact your place of purchase or local distributor. Alternatively, please try the following help resources for further guidance.

- Visit the MSI website for technical guide, BIOS updates, driver updates, and other information: <http://www.msi.com>
- Register your product at: <http://register.msi.com>

## Revision History

Version 1.0, 2018/06, First release  
Version 1.1, 2018/10, Add new CPU  
Version 1.2, 2018/12, Update USB 3.1 Spec.  
Version 1.3, 2019/05, Change Flash BIOS Button.  
Version 1.4, 2019/06, Update BIOS GSE LITE



The terms HDMI™, HDMI™ High-Definition Multimedia Interface, HDMI™ Trade dress and the HDMI™ Logos are trademarks or registered trademarks of HDMI™ Licensing Administrator, Inc.