



# MAG Series

## Liquid CPU Cooler

CORELIQUID A17 MLG EDITION

User Guide

English \ Deutsch \ Français \ Русский \ Polski \ Português \  
BR Portuguese \ Español \ Türkçe \ Dansk \ Nederlands \  
Norsk \ Český \ Ελληνικά \ Svenska \ Suomi \ Magyar \  
Italiano \ Қазақ тілі \ 繁體中文 \ 簡體中文 \ 日本語 \ 한국어 \  
Tiếng Việt \ ไทย \ Bahasa Indonesia \ Українська \ Română \  
Slovensky \ Bosanski \ Български \ Latviski \ Srpski \  
Slovenščina \ Lietuvių \ Hrvatski \ Eesti \ বাঙালি \ हिन्दी \  
فارسی \ العربية

The warranty term differs from one region to another. If you would like to verify the warranty term of the product bought, please kindly contact our local offices.

Die Garantieleistungen unterscheiden sich nach der jeweiligen Region. Wenn Sie die Garantiezeit des gekauften Produkts überprüfen möchten, wenden Sie sich bitte an unsere lokalen Niederlassungen.

Les termes et conditions de la garantie peuvent varier selon les pays. Pour vérifier les termes et conditions qui s'appliquent à votre pays, veuillez vous rendre sur le site MSI local.

Условия гарантийного обслуживания могут меняться в зависимости от региона продаж. Для уточнения условий гарантийного обслуживания, пожалуйста, свяжитесь с местным представителем компании.

Okres gwarancyjny zależy od regionu. W celu sprawdzenia okresu gwarancyjnego dla zakupionego produktu należy skontaktować się z jednym z naszych lokalnych biur.

O prazo de garantia difere de acordo com a região. Se deseja verificar o prazo de garantia do produto adquirido, contacte os nossos representantes locais.

Os termos de garantia diferem de uma região para outra. Caso deseje verificar o termo de garantia do produto comprado, por favor, entre em contato com nossos escritórios locais.

El plazo de garantía cambia de una región a otra. Si desea verificar la duración de la garantía del producto comprado, comuníquese con nuestras oficinas locales.

Garanti süresi bir bölgeden diğerine farklılık gösterir. Satın alınan ürünün garanti süresini doğrulamak istiyorsanız, lütfen yerel ofislerimizle iletişime geçin.

Garanti perioden er forskjellig fra region til region. Hvis du vil bekræfte garanti perioden til det købte produkt, bedes du venligst kontakte vores lokale kontorer.

De garantie varieert tussen regio's. Als u de garantievoorwaarde van het aangeschafte product wilt verifiëren, neem dan contact op met ons lokale kantoor.

Garanti perioden varierer avhengig av region. Hvis du vil bekrefte garantitiden for produktet som er kjøpt, kan du ta kontakt med våre lokale kontorer.

Záruční podmínky se liší podle oblasti. Chcete-li si ověřit záruční dobu zakoupeného produktu, kontaktujte naše místní pobočky.

Η περίοδος της εγγύησης διαφέρει από περιοχή σε περιοχή. Αν θέλετε να επαληθεύσετε την περίοδο εγγύησης του προϊόντος που αγοράσατε, παρακαλείστε όπως επικοινωνήσετε με τα τοπικά μας γραφεία.

Garantitiden skiljer sig från region till region. Om du vill verifiera garantitiden för den köpta produkten är du välkommen att kontakta våra lokala kontor.

Takuuehdot vaihtelevat alueittain. Jos haluat tarkistaa ostetun tuotteen takuuehdot, ota yhteyttä paikalliseen toimistoomme.

A garanciális időszak régióként eltérő. Ha ellenőrizni szeretné a megvásárolt termékre vonatkozó garancia időszakát, arra kérjük, hogy vegye fel a kapcsolatot a helyi irodáinkkal.

Il termine della garanzia differisce da una regione all'altra. Se si desidera verificare la durata della garanzia del prodotto acquistato, si prega gentilmente di contattare i nostri uffici locali.

Кепілдік мерзімі аймаққа байланысты ерекшеленеді. Сатып алынған тауардың кепілдік мерзімін тексергіңіз келсе, біздің жергілікті кеңселеімізге хабарласыңыз.

保固期因地區而異。如果您想確認所購買產品的保固期，請聯繫我們當地的營運處。

本公司产品保修期因地区而异。如果您想核实所购买产品的保修期，请联系我们当地的办事处。

保証期間は地域により異なりますので、購入した製品の保証期間を確認する場合は、その地域のMSIオフィスにお尋ねください。

제품 보증 기간은 구매 지역에 따라 다릅니다. 구매한 제품의 보증기간 확인은 해당 지역 고객센터에 문의바랍니다.

Thời hạn bảo hành sẽ khác nhau tùy theo từng khu vực. Nếu bạn muốn xác minh thời hạn bảo hành của sản phẩm đã mua, vui lòng liên hệ đến các văn phòng tại địa phương của chúng tôi.

เงื่อนไขการรับประกันแตกต่างกันในแต่ละภูมิภาค ถ้าคุณต้องการตรวจสอบเงื่อนไขการรับประกันของผลิตภัณฑ์ที่ซื้อมา โปรดติดต่อสำนักงานในพื้นที่ของเรา

Masa garansi berbeda antara satu wilayah dengan wilayah lain. Jika Anda ingin memverifikasi masa garansi produk yang dibeli, silakan hubungi kantor lokal kami.

Термін гарантії відрізняється в різних регіонах. Щоб перевірити термін гарантії на придбаний виріб, зверніться до місцевого відділення нашої компанії.

Termenul de garanție diferă de la o regiune la alta. Dacă doriți să verificați termenul de garanție al produsului achiziționat, vă rugăm să contactați birourile noastre locale.

Záručné podmienky sa líšia od jedného regiónu po druhý. Ak si chcete overiť záručné podmienky na zakúpený výrobok, obráťte sa láskavo na naše miestne pobočky.

Trajanje garancije razlikuje se zavisno o regiji. Ako želite potvrditi trajanje garancije kupljenog proizvoda, obratite se lokalnom uredu.

Гаранционният срок се различава от регион на регион. Ако искате да проверите гаранционния срок на продукта, който сте закупили, свържете се с нашите местни офиси.

Garantijas terminš dažādos reģionos atšķiras. Ja vēlaties pārbaudīt iegādātā produkta garantijas termiņu, lūdzu, sazinieties ar mūsu vietējiem birojiem.

Trajanje garancije se razlikuje u zavisnosti od regije. Ako želite da potvrdite trajanje garancije za proizvod koji ste kupili, obratite se našoj lokalnoj kancelariji.

Garancijski pogoji se med regijami razlikujejo. Če želite preveriti garancijske pogoje za kupljen izdelek, se obrnite na eno od naših izpostav.

Įvairiuose regionuose taikomos skirtingos garantinės sąlygos. Jei norite įsitikinti, kokios garantinės sąlygos taikomos jūsų įsigytam į gaminiui, kreipkitės į mūsų artimiausią klientų aptarnavimo biurą.

Valjanost jamstva razlikuje se ovisno o regiji. Ako želite potvrditi valjanost jamstva kupljenog proizvoda, obratite se lokalnom uredu.

Garantiitingimused on regiooniti erinevad. Ostetud toote garantiitingimuste üle vaatamiseks pöörduge meie kohaliku esinduse poole.

ওয়ারেন্টের শর্ত অঞ্চল ভেদে ভিন্ন ভিন্ন হতে পারে। আপনি যদি ক্রয়কৃত পণ্যের ওয়ারেন্টের শর্তাবলি যাচাই করতে চান, তাহলে আমাদের স্থানীয় অফিসের সাথে যোগাযোগ করুন।

वारंटी की अवधि एक प्रदेश से दूसरे में भिन्न होती है। यदि आप खरीदे गए उत्पाद की वारंटी अवधि का सत्यापन करना चाहते हैं, तो कृपया हमारे स्थानीय कार्यालयों से संपर्क करें।

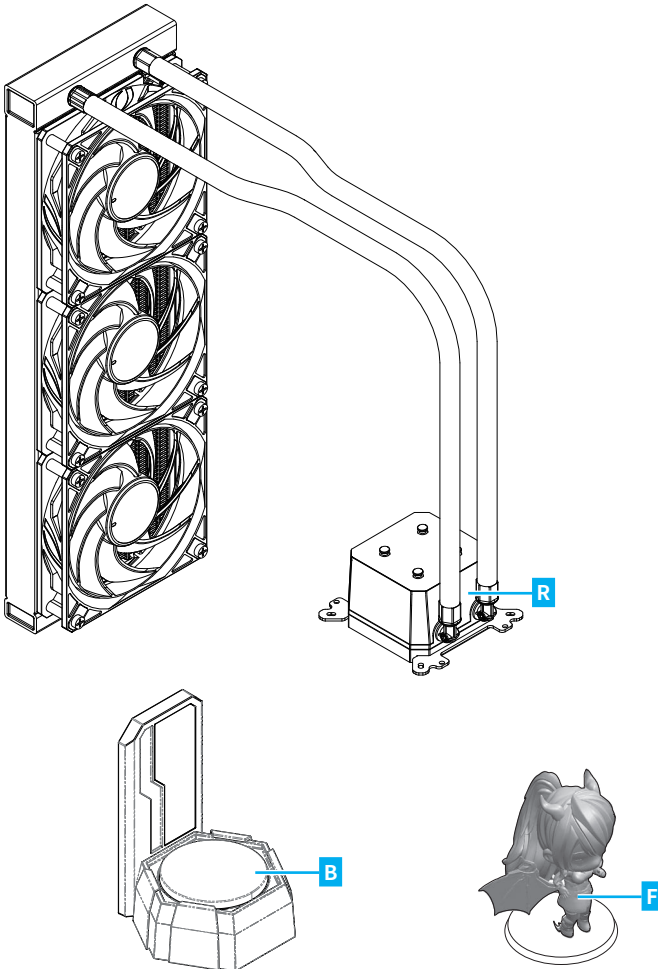
تختلف مدة الضمان من منطقة إلى أخرى. إذا كنت ترغب في التحقق من مدة الضمان للمنتج الذي تم شراؤه يرجى التكرم بالاتصال بمكاتبنا المحلية

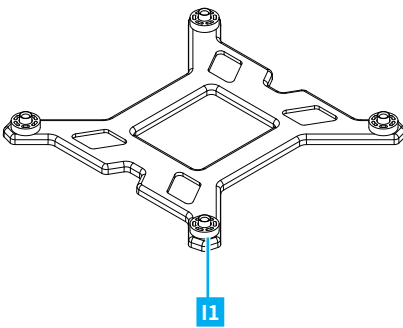
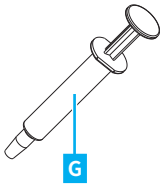
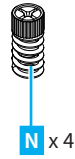
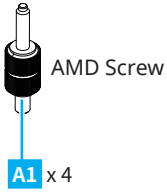
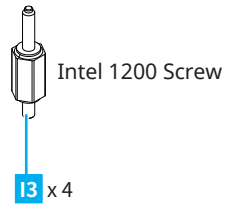
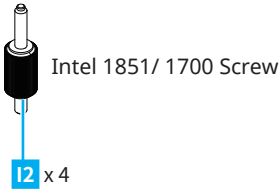
شرایط ضمانت در هر منطقه متفاوت است. اگر می خواهید شرایط ضمانت محصول خریداری شده را بررسی کنید، لطفاً با دفتر محلی ما تماس بگیرید

# Packing Contents

Lieferumfang \ Contenu de \ l'emballage \ Комплект поставки \ Zawartość \  
akowania Conteúdo da embalagem \ Conteúdo da Embalagem \ Contenido del  
paquete \ Paket İçeriği \ Pakkens indhold \ Inhoud verpakking \ Pakkens innhold \  
Obsah krabice \ Περιεχόμενα συσκευασίας \ Förpackningens innehåll \  
Pakkauksen Sisältö \ A csomag tartalma \ Contenuto della confezione \  
Қаптаманың Мазмұны \ 包裝內容 \ 包裝內容 \ パッケージの内容 \ 포장 내용물 \  
Cấu phần trong gói \ รายการในกล่องบรรจุ \ Isi Kemasan \ До Комплекту Входят  
Conținutul Pachetului \ Obsah Balenia \ Sadržaj pakovanja \ Съдържание на пакета \  
Iepakojuma saturs \ Sadržaj Paketa \ Vsebina paketa \ Pakuotės turinys \ Sadržaj  
pakiranja \ Pakendi sisu \ জিনিস প্যাকেটজাত করা \ पैकिंग सामग्री \

محتويات العبوة \ موارد موجود در بسته بندی



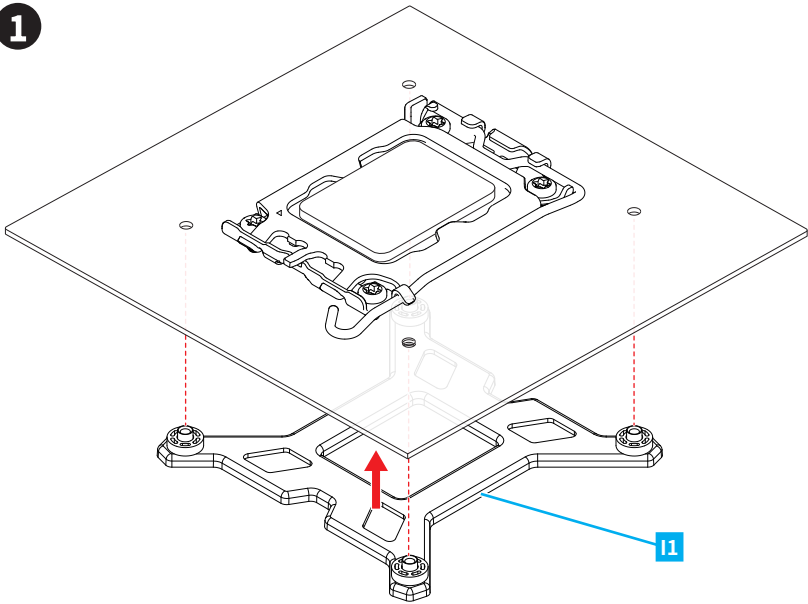


# Installation

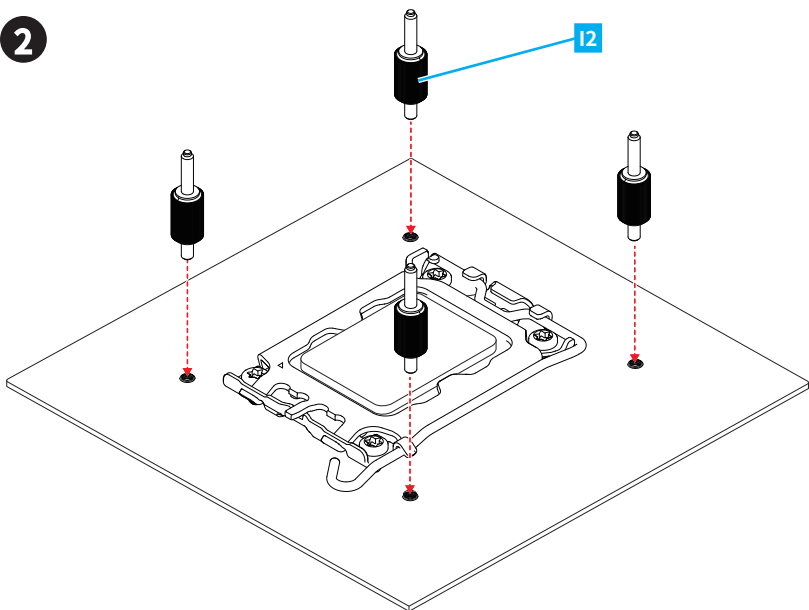
Installieren \ Installation \ Установка \ Instalacja \ Instalação \ Instalação \ Instalación  
\ Kurulumu \ Installation \ Installieren \ Installasjon \ Instalace \ Εγκατάσταση  
\ Installation \ Asennus \ Üzembe helyezés \ Installazione \ Орнату \ 安裝 \ 安裝  
\ 設置 \ 설치 \ Lắp đặt \ การติดตั้ง \ Penginstallan \ Установка \ Instalare \ Inštalácie  
\ Instalacija \ Инсталляция \ Instalēšana \ Instalacija \ Namestitev \ Montavimas  
\ Instalacija \ Installimine \ ইনস্টল করা \ ইন্স্টলেশন \ التثبيت \ نصب

## Intel 1851/ 1700

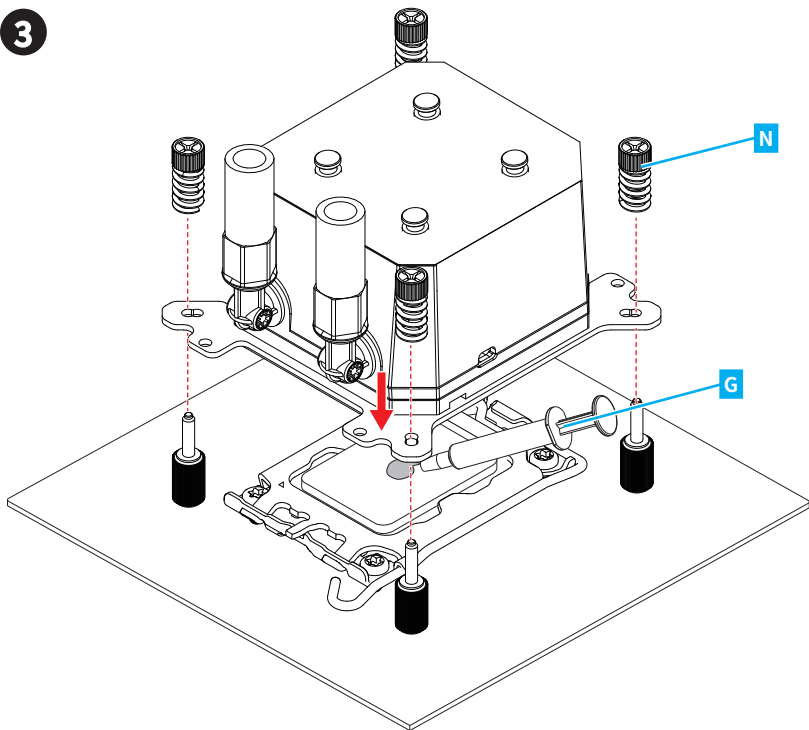
1



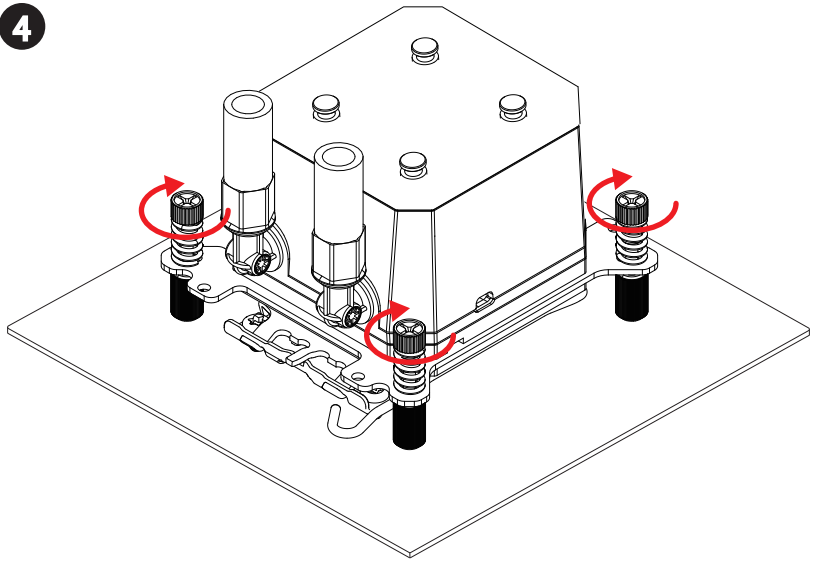
2



3

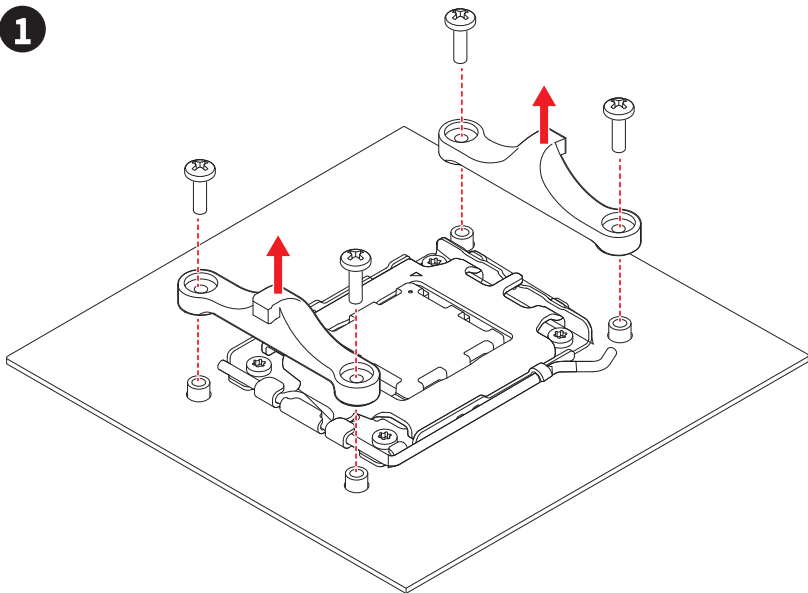


4

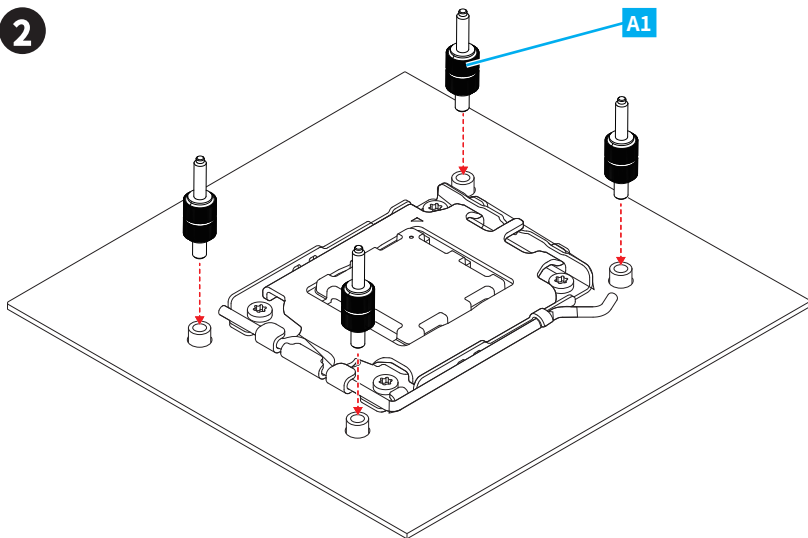


# AMD AM5 \ AM4

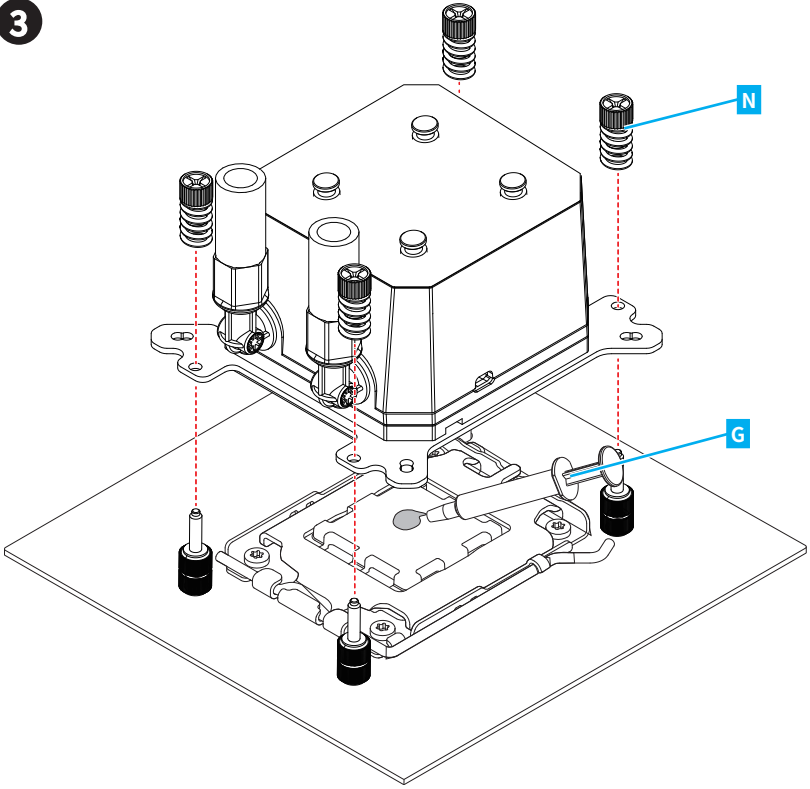
1



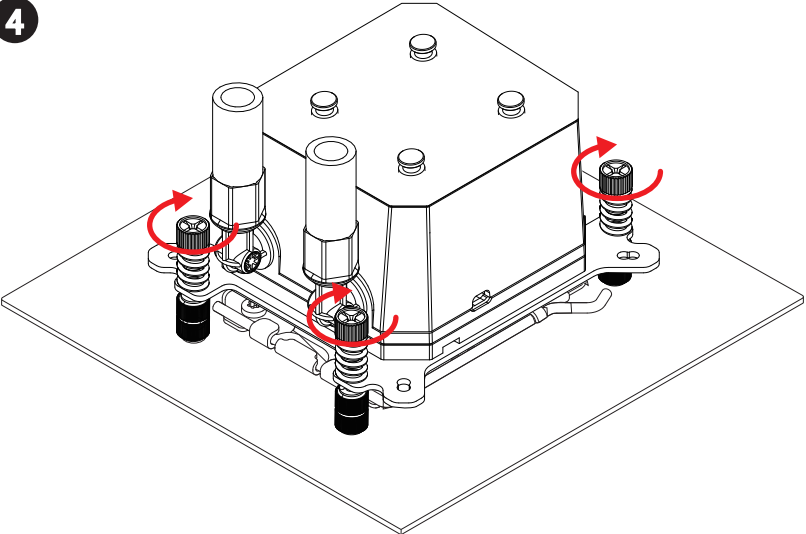
2



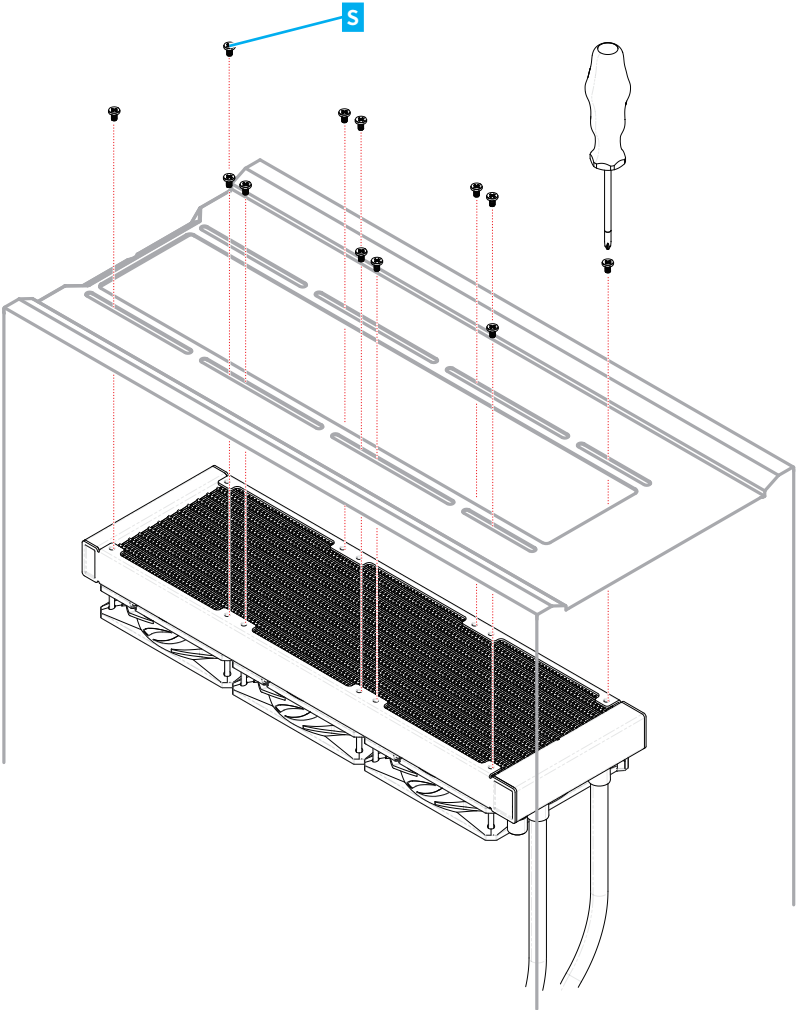
3



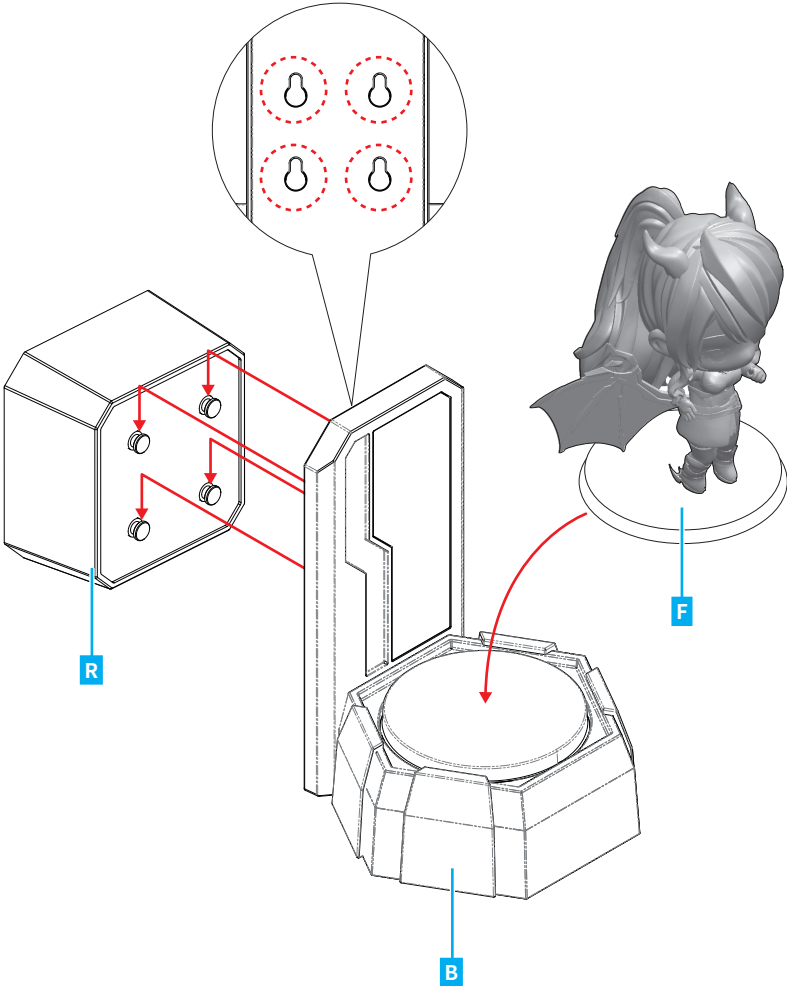
4



# Radiator



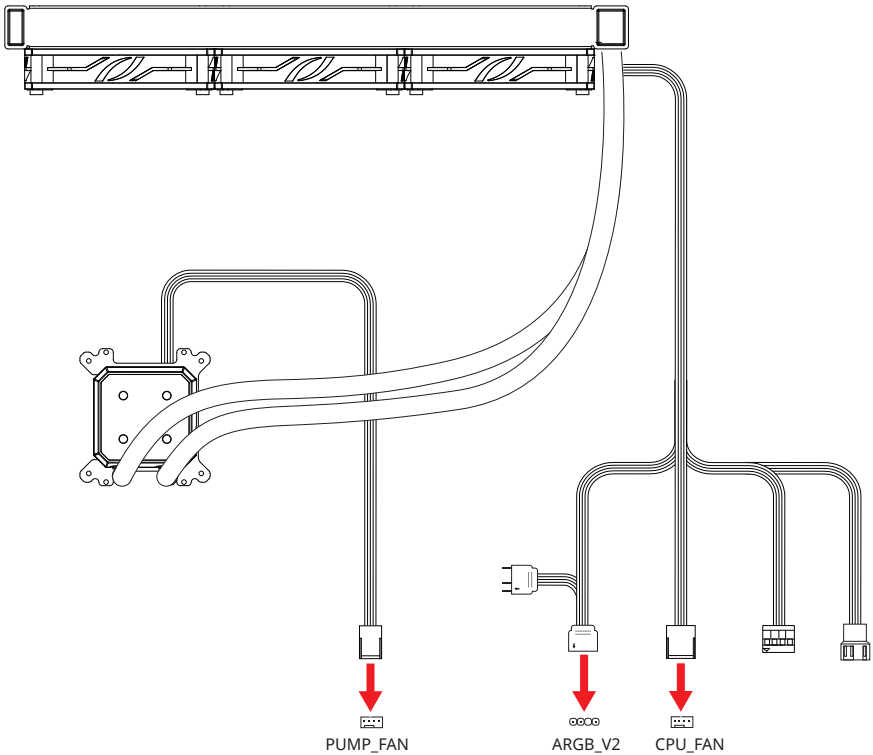
# Figure Base



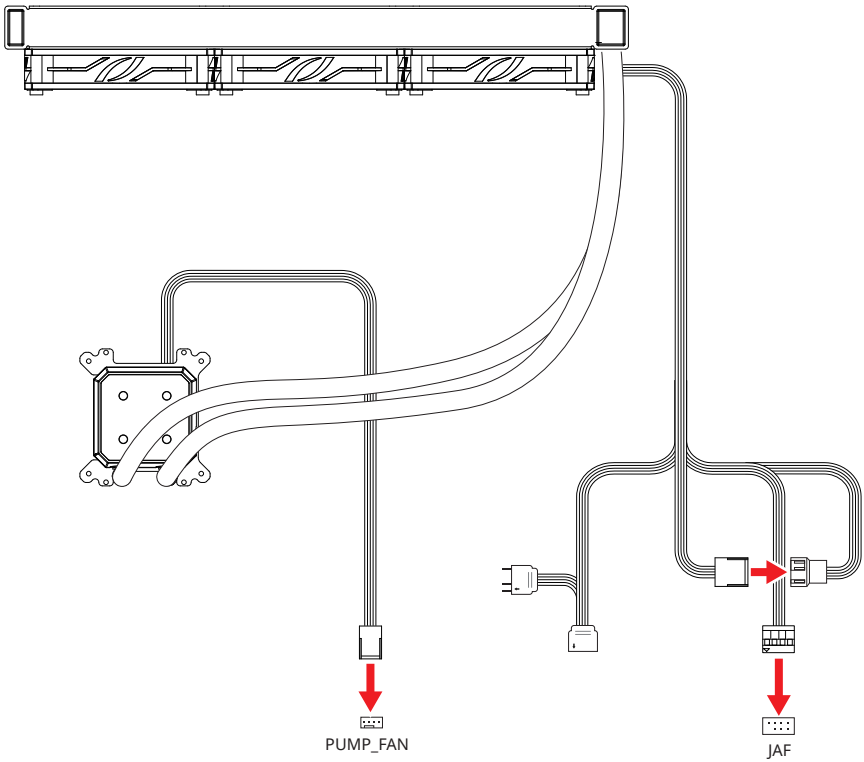
# Connection

Verbindung \ Connexion \ Подключение \ Połączenie \ Ligação \ Conexão \ Conexión  
\ Bağlantı \ Forbindelse \ Verbindung \ Tilkobling \ Připojení \ Σύνδεση \ Anslutning \  
Liitântä \ Csatlakozás \ Connessione \ Қосылым \ 連接 \ 连接 \ コネクター \ 연결 \  
Kết nối \ การเชื่อมต่อ \ Sambungan \ Підключення \ Conexiune \ Pripojenie \  
Povezivanje \ Връзка \ Savienojums \ Veza \ Povezava \ Prijungimas \ Veza \  
Ühendamine \ সংযোগ \ कनेक्शन \ اتصال \ انصّال

## For motherboards without JAF connector



## For motherboards with JAF connector



### Note

- It is recommended that users set the fan/pump speed duty > 20%.
- This product uses ARGB GEN2 LEDs and supports Intel 800 and AMD 800 series JAF\_2 or JAF\_1 motherboards, compatible with Mystic Light.

# Regulatory Notices

## CE Conformity

Products bearing the CE marking comply with one or more of the following EU Directives as may be applicable:

- RED 2014/53/EU
- Low Voltage Directive 2014/35/EU
- EMC Directive 2014/30/EU
- RoHS Directive 2011/65/EU
- Implementing measure Directive 2009/125/EC of ESPR Regulation (EU) 2024/1781



Compliance with these directives is assessed using applicable European Harmonized Standards.

The point of contact for regulatory matters is MSI-Europe: Eindhoven 5706 5692 ER Son, the Netherlands.

For any support regarding the EU General Product Safety Regulation (GPSR), please contact MSI Computer Europe B.V. via [gpsr@msi.com](mailto:gpsr@msi.com) Science Park Eindhoven 5706 5692 ER Son, the Netherlands

## FCC-B Radio Frequency Interference Statement

This equipment has been tested and found to comply with the limits for a Class B digital device, pursuant to part 15 of the FCC rules. These limits are designed to provide reasonable protection against harmful interference in a residential installation. This equipment generates, uses and radiates radio frequency energy, and, if not installed and used in accordance with the instructions, may cause harmful interference to radio communications. However, there is no guarantee that interference will not occur in a particular installation. If this equipment does cause harmful interference to radio or television reception, which can be determined by turning the equipment off and on, the user is encouraged to try to correct the interference by one or more of the following measures:



- Reorient or relocate the receiving antenna.
- Increase the separation between the equipment and receiver.
- Connect the equipment into an outlet on a circuit different from that to which the receiver is connected.

### NOTE

- The changes or modifications not expressly approved by the party responsible for compliance could void the user's authority to operate the equipment.
- Shield interface cables and AC power cord, if any, must be used in order to comply with the emission limits.

### MSI Computer Corp.

901 Canada Court, City of Industry, CA 91748, USA  
(626) 913-0828  
[www.msi.com](http://www.msi.com)

## KC인증서



R-R-MSI-MS-7ZW9

상호: (주)엠에스아이코리아  
제품명: Water Cooler  
모델명: MS-7ZW9  
제조년월: 2025년  
제조사 및 제조국가: MSI\중국

## Chemical Substances Information

In compliance with chemical substances regulations, such as the EU REACH Regulation (Regulation EC No. 1907/2006 of the European Parliament and the Council), MSI provides the information of chemical substances in products at:  
<https://csr.msi.com/global/index>

## WEEE (Waste Electrical and Electronic Equipment) Statement



**European Union:** This symbol on the product indicates that this product cannot be discarded as municipal waste. Instead, it is your responsibility to dispose of your waste electrical and electronic equipment by handing it over to a designated collection point for recycling. For more information about where you can drop off your waste equipment for recycling, please contact your local city office, your household waste disposal service or the shop where you purchased the product.

## 日本JIS C 0950材質宣言

日本工業規格JIS C 0950により、2006年7月1日以降に販売される特定分野の電気および電子機器について、製造者による含有物質の表示が義務付けられます。

<https://csr.msi.com/tw/Japan-JIS-C-0950-Material-Declarations>

## India RoHS

This product complies with the “India E-waste (Management and Handling) Rule 2011” and prohibits use of lead, mercury, hexavalent chromium, polybrominated biphenyls or polybrominated diphenyl ethers in concentrations exceeding 0.1 weight % and 0.01 weight % for cadmium, except for the exemptions set in Schedule 2 of the Rule.

## Türkiye EEE yönetmeliği

Türkiye Cumhuriyeti: EEE Yönetmeliğine Uygundur

Україна обмеження на наявність небезпечних речовин

Обладнання відповідає вимогам Технічного регламенту щодо обмеження використання деяких небезпечних речовин в електричному та електронному обладнанні, затвердженого постановою Кабінету Міністрів України від 3 грудня 2008 № 1057.

## Việt Nam RoHS

Kể từ ngày 01/12/2012, tất cả các sản phẩm do công ty MSI sản xuất tuân thủ Thông tư số 30/2011/TT-BCT quy định tạm thời về giới hạn hàm lượng cho phép của một số hóa chất độc hại có trong các sản phẩm điện, điện tử”

## 产品中有害物质的名称及含量

部件名称	有害物质					
	铅 (Pb)	汞 (Hg)	镉 (Cd)	六价铬 (Cr(VI))	多溴联苯 (PBB)	多溴二苯醚 (PBDE)
印刷电路板组件	×	○	○	○	○	○
外部信号接头	×	○	○	○	○	○
线材	×	○	○	○	○	○
塑料机构件	○	○	○	○	○	○
金属机构件	○	○	○	○	○	○
橡胶件	○	○	○	○	○	○

本表格依据 SJ/T 11364 的规定编制。

○: 表示该有害物质在该部件所有均质材料中的含量均在 GB/T 26572 规定的限量要求以下。

×: 表示该有害物质至少在该部件的某一均质材料中的含量超出 GB/T 26572 规定的限量要求,但所有部件都符合欧盟RoHS要求。

\* 印刷电路板组件: 包括印刷电路板及其构成的零部件。

\*\* 电池本体上如有环保使用期限标识,以本体标识为主。

■ 上述有毒有害物质或元素清单会依型号之部件差异而有所增减。

■ 产品部件本体上如有环保使用期限标识,以本体标识为主。

## 限用物質含有情況標示聲明書

單元	限用物質及其化學符號					
	鉛 (Pb)	汞 (Hg)	鎘 (Cd)	六價鉻 (Cr <sup>6+</sup> )	多溴聯苯 (PBB)	多溴二苯醚 (PBDE)
印刷電路板組件	—	○	○	○	○	○
外部信號連接頭	—	○	○	○	○	○
線材	—	○	○	○	○	○
塑料機構件	○	○	○	○	○	○
金屬機構件	○	○	○	○	○	○
橡膠件	○	○	○	○	○	○

備考1. “超出0.1 wt %”及“超出0.01 wt %”係指限用物質之百分比含量超出百分比含量基準值。

備考2. “○”係指該項限用物質之百分比含量未超出百分比含量基準值。

備考3. “—”係指該項限用物質為排除項目。

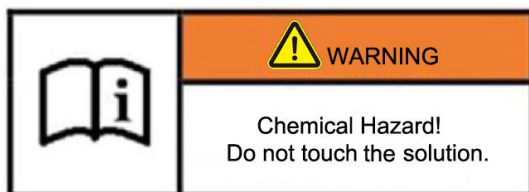
## Warning

Please read the following information carefully.

- Built-in component, suitable enclosure and type of supply connection should be provided by end system.
- When installing the component, EN IEC 62368-1:2020+A11:2020 must be fulfilled.
- This built-in component shall be connected to a DC source, which is insulated from the AC mains supply by double or reinforced insulation.
- The Liquid Cooling is not intended to be repaired by service personal in case of failure or component defect.
- The Liquid Cooling shall not be exposed to dripping or splashing and no objects filled with liquid shall be placed on the apparatus.
- The Liquid Cooling must not be disposed together with the domestic waste. This product has to be disposed at an authorized place for recycling of electrical and electronic appliances. By collecting and recycling waste. You can help save natural resources and make sure the product is disposed in an environmental friendly and healthy way.

## Specifications

- The product is a built-in component, when installed in final system, suitable enclosure and type of supply connection should be provided and all requirement of IEC 62368-1 should be fulfilled.
- Maximum working pressure at the normal operating condition: 0.0625\_MP.
- Maximum working pressure at the abnormal operating condition and single fault condition :0.0625\_MP
- Maximum operating ambient temperature: 40°C
- Maximum temperature during normal operating condition: 63.8°C
- Maximum temperature during abnormal operating condition and single fault condition:69.7°C



## Green Product Features

- Reduced energy consumption during use and stand-by
- Limited use of substances harmful to the environment and health
- Easily dismantled and recycled
- Reduced use of natural resources by encouraging recycling
- Extended product lifetime through easy upgrades
- Reduced solid waste production through take-back policy

## Environmental Policy

- The product has been designed to enable proper reuse of parts and recycling and should not be thrown away at its end of life.
- Users should contact the local authorized point of collection for recycling and disposing of their end-of-life products.
- Visit the MSI website and locate a nearby distributor for further recycling information.
- Users may also reach us at [gpcontdev@msi.com](mailto:gpcontdev@msi.com) for information regarding proper Disposal, Take-back, Recycling, and Disassembly of MSI products.
- Please visit <https://us.msi.com/page/recycling> for information regarding the recycling of your product in the US.



## Copyright and Trademarks Notice



Copyright © Micro-Star Int'l Co., Ltd. All rights reserved. The MSI logo used is a registered trademark of Micro-Star Int'l Co., Ltd. All other marks and names mentioned may be trademarks of their respective owners. No warranty as to accuracy or completeness is expressed or implied. MSI reserves the right to make changes to this document without prior notice.

## Technical Support

If a problem arises with your system and no solution can be obtained from the user guide, please contact your place of purchase or local distributor. Alternatively, please try the following help resources for further guidance.

- Visit the MSI website for technical guide, BIOS updates, driver updates, and other information: <http://www.msi.com>
- Register your product at: <http://register.msi.com>

