



# **PAG Series**

**PC Case**

PAG PANO M110A

User Guide

# Contents

Specifications .....	3
Accessories .....	5
Case Features .....	6
Side and Front View .....	7
I/O and Buttons .....	8
Right Side & Front Panel Removal.....	9
Left Panel Removal .....	10
Motherboard Installation .....	11
Graphics Card Installation.....	12
HDD & SSD Installation .....	13
PSU Installation.....	14
Panel I/O Connection.....	15
Control Board Connection .....	16
General Information .....	17

# Specifications

## Basic Information

Case Type	Mid Tower
Dimensions (DxWxH)	372 x 210 x 440 mm
Supported Motherboard Sizes	Micro-ATX, Mini-ITX
Expansion Slots	5 slots

## Cooling Fan Support

Top	2 x 120mm or 2 x 140mm Pre-installed 2 x 120mm Auto-RGB fans
Rear	1 x 120mm Pre-installed 1 x 120mm Auto-RGB fan
Side	2 x 120mm* * Compatible with motherboards up to 226 mm wide.
Bottom	2 x 120mm (on the PSU shroud)

## Drive Bays

2.5" SSD	Up to 2
3.5" HDD	Up to 2

## I/O Ports and Buttons

USB Ports	1 x USB 5Gbps Type-A 2 x USB Type-A
Audio Ports	1 x Audio jack 1 x Microphone jack
Buttons	1 x Power button 1 x LED switch button

## Chassis Clearances



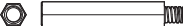




Maximum CPU Cooler Height	160 mm
Maximum GPU Length	330 mm
Top Radiator Support	120 / 240 mm

<b>Rear Radiator Support</b>	120 mm
<b>PSU Support</b>	160 mm

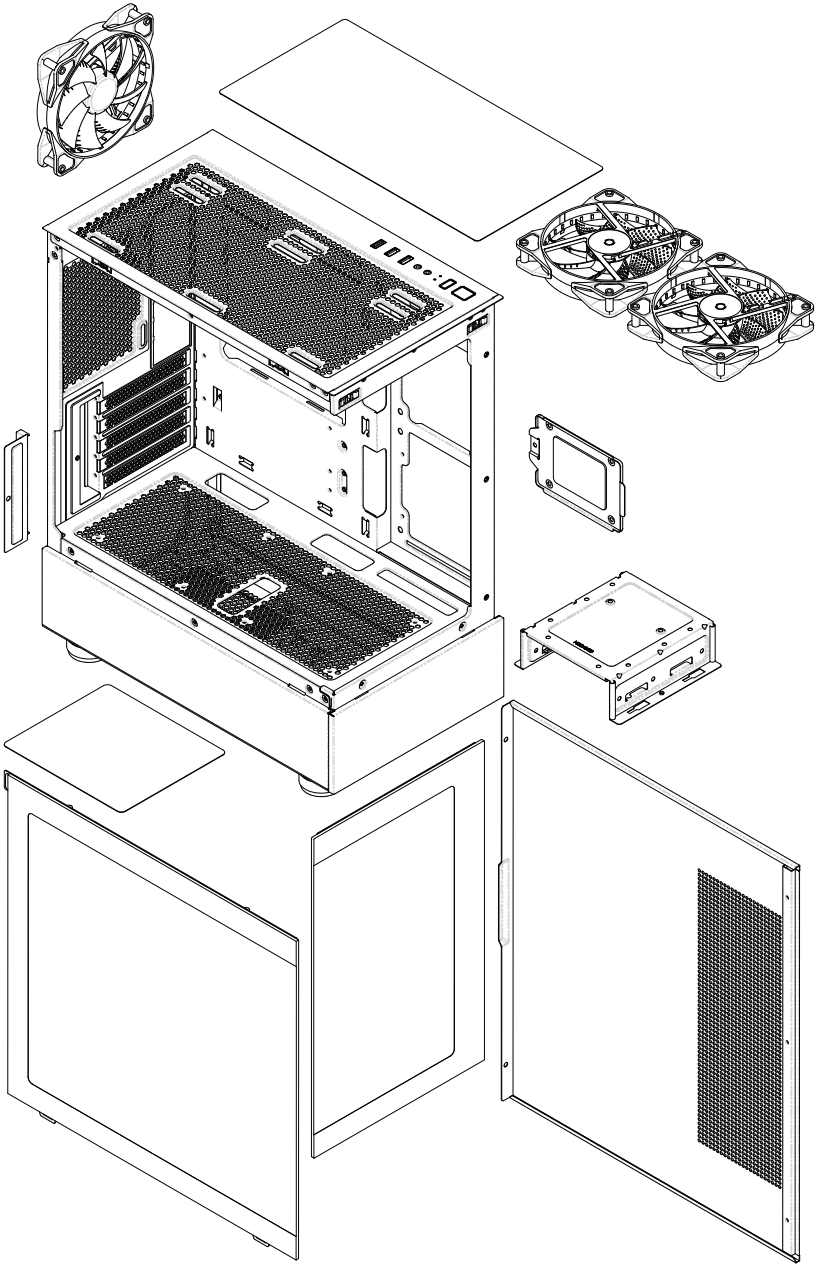
## Materials

<b>Metal Specification</b>	SPCC 0.5 mm
<b>Left Side Panel</b>	4mm tempered glass
<b>Dust Filter</b>	Top: Magnet Bottom: Removal

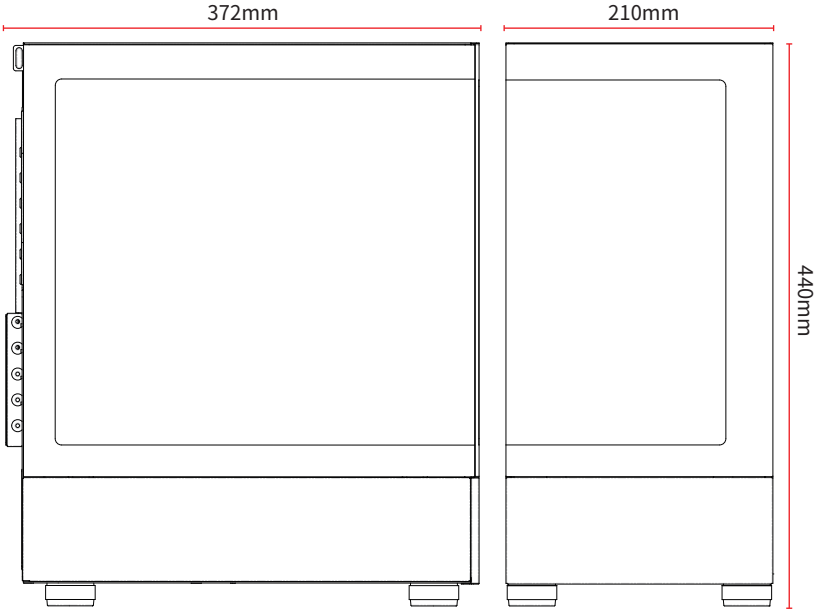
# Accessories

Item	Name	Used for
	Screw #6-32 6mm	Securing PSU / PCIe Card
	Stand-off M3 6.5mm	Motherboard Stud
	Stand-off M3 27mm	Motherboard Stud
	Screw M3 5mm	Motherboard / SSD
	Screw #6-32 5mm	3.5" HDD
	Screw #6-32 4mm	3.5" HDD
	Screw #6-32 28mm	Securing fans on the PSU shroud

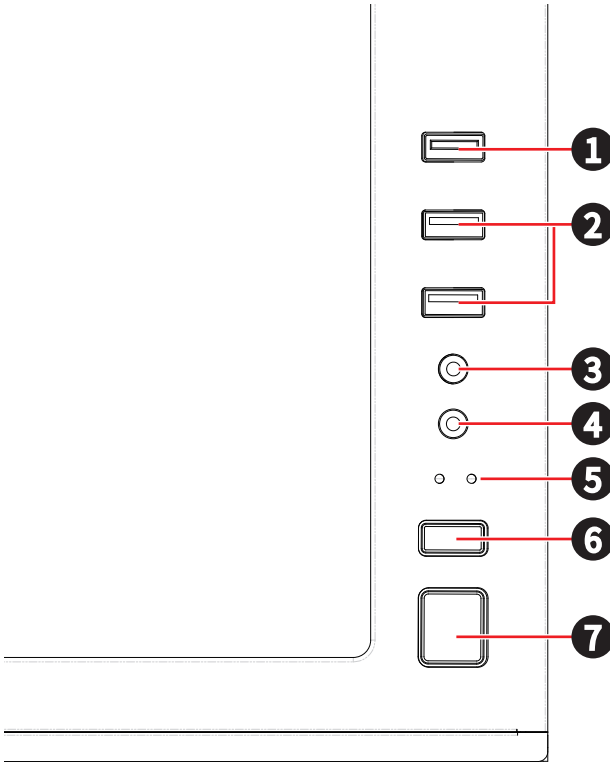
# Case Features



# Side and Front View

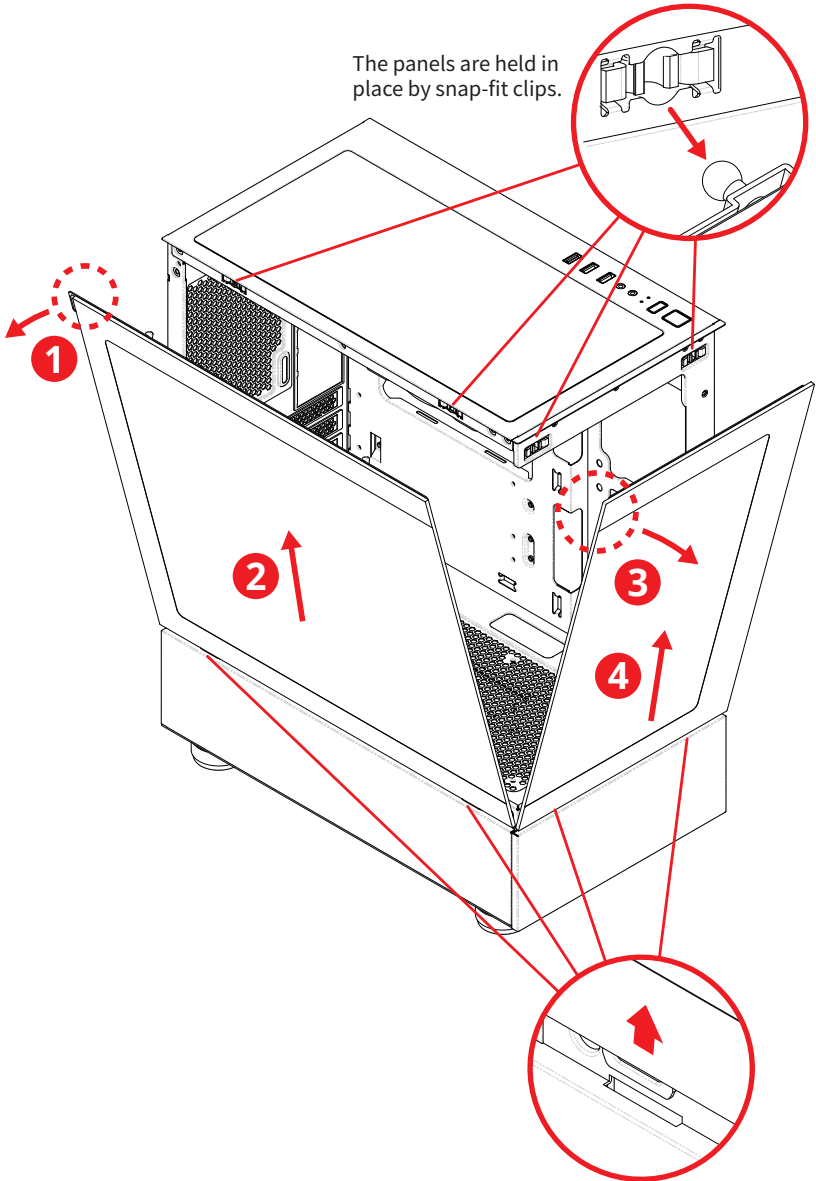


# I/O and Buttons

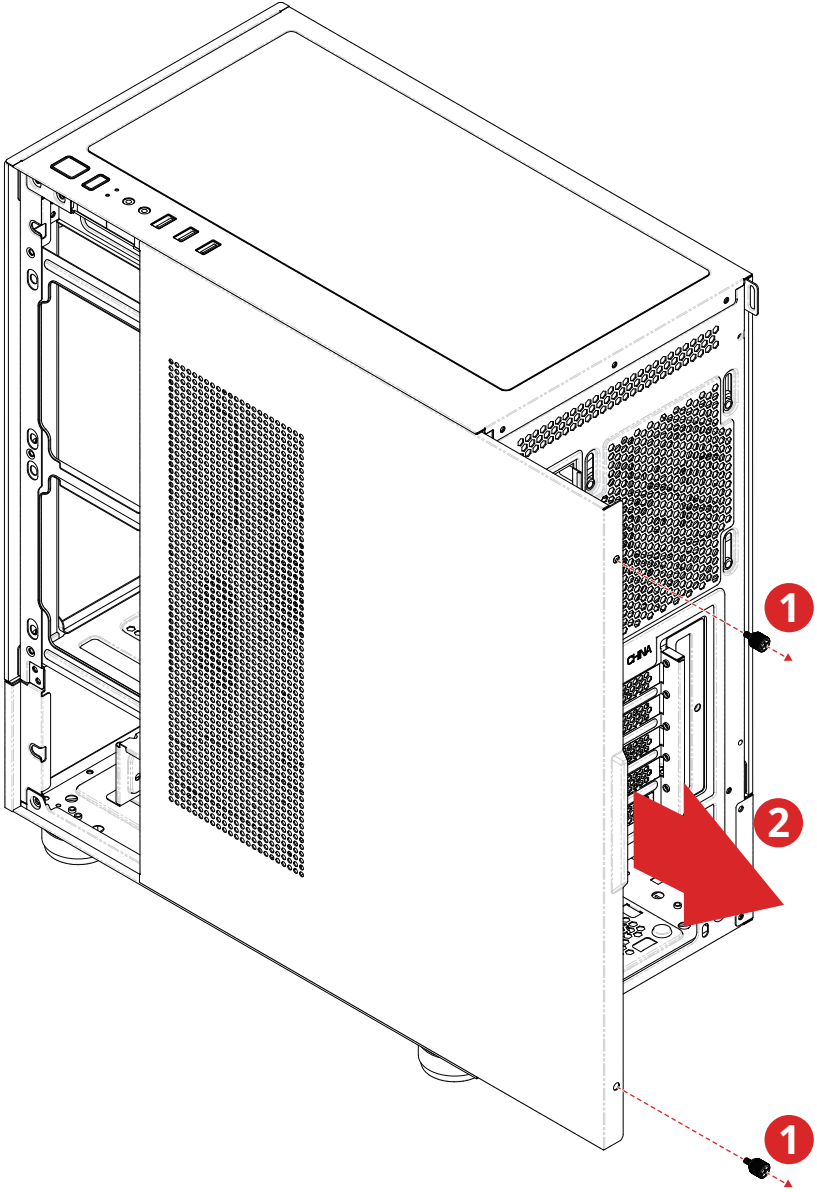


Item	Description
1	USB 5Gbps Type-A
2	USB Type-A
3	Microphone combo jack
4	Audio combo jack
5	Power LED / HDD LED
6	LED switch button
7	Power button

# Right Side & Front Panel Removal



# Left Panel Removal

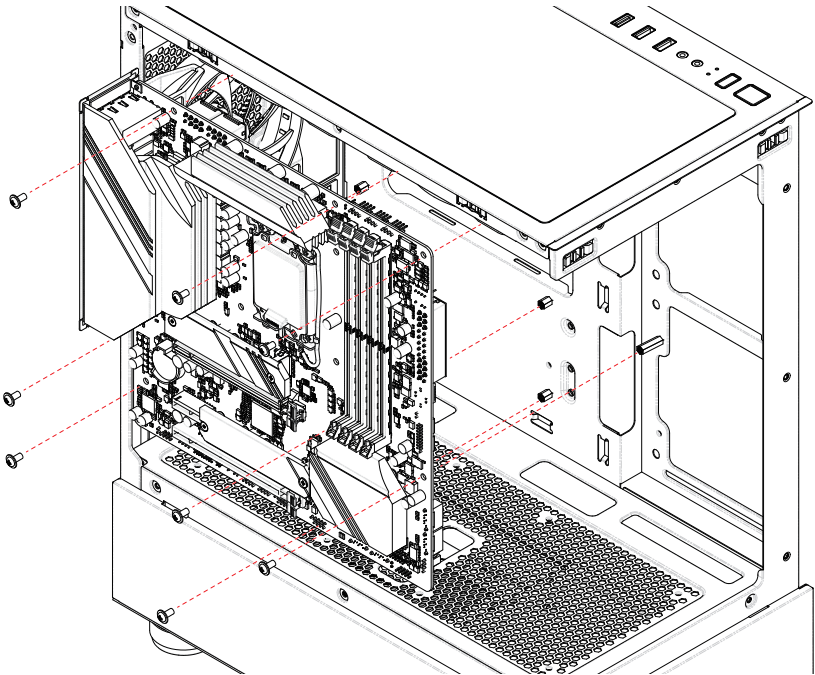
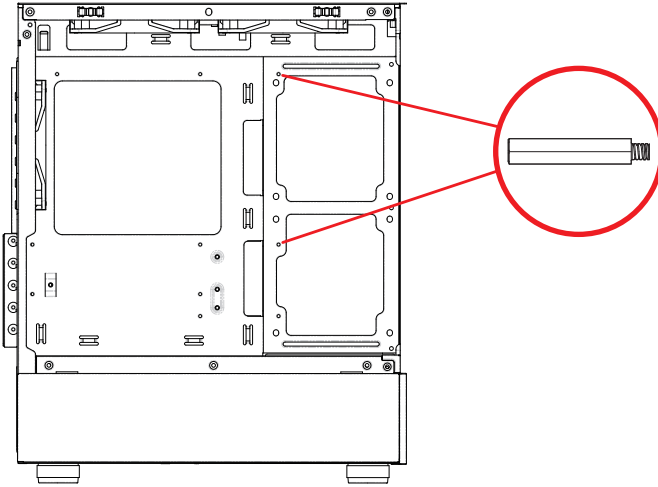


# Motherboard Installation

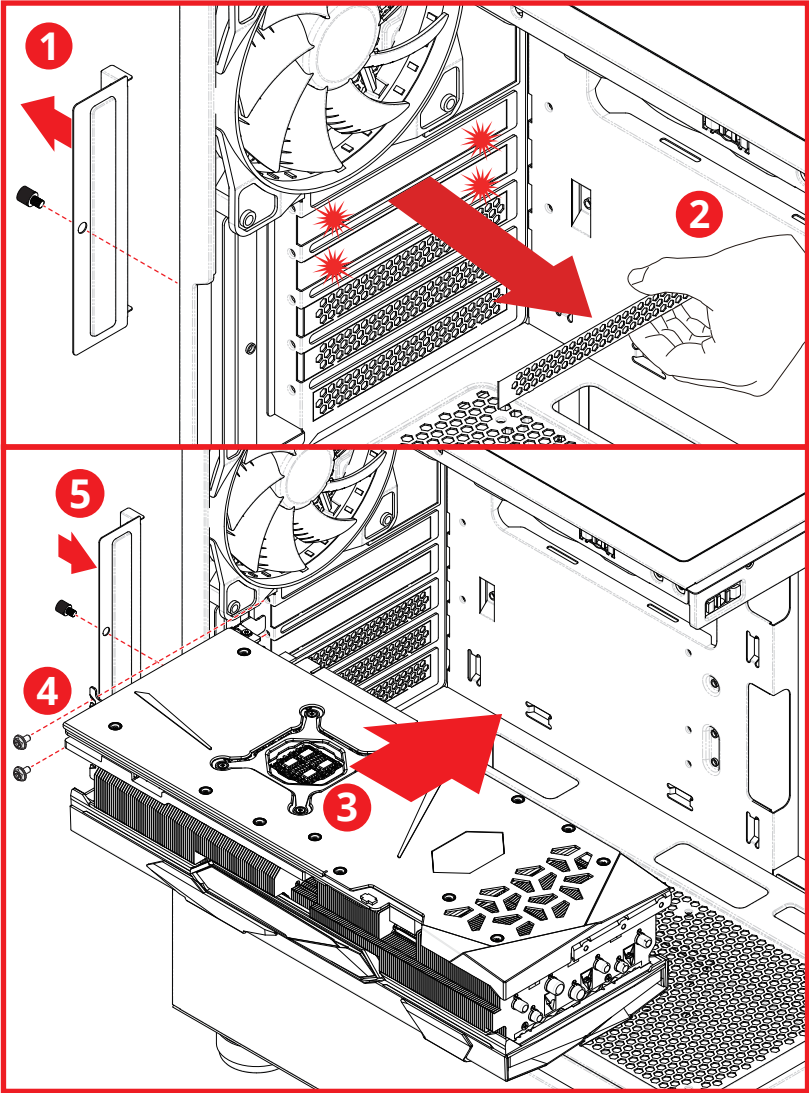


## Notice

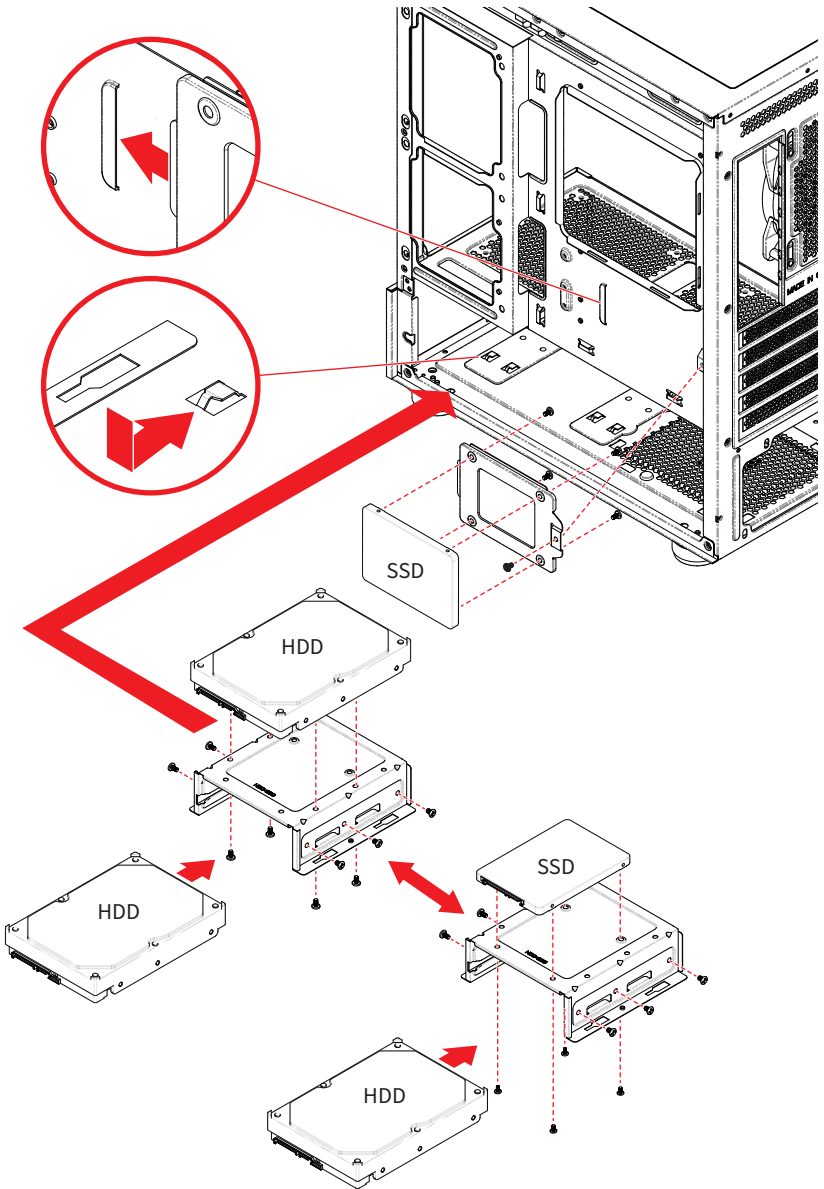
Side fans are only compatible with motherboards up to 226 mm wide.



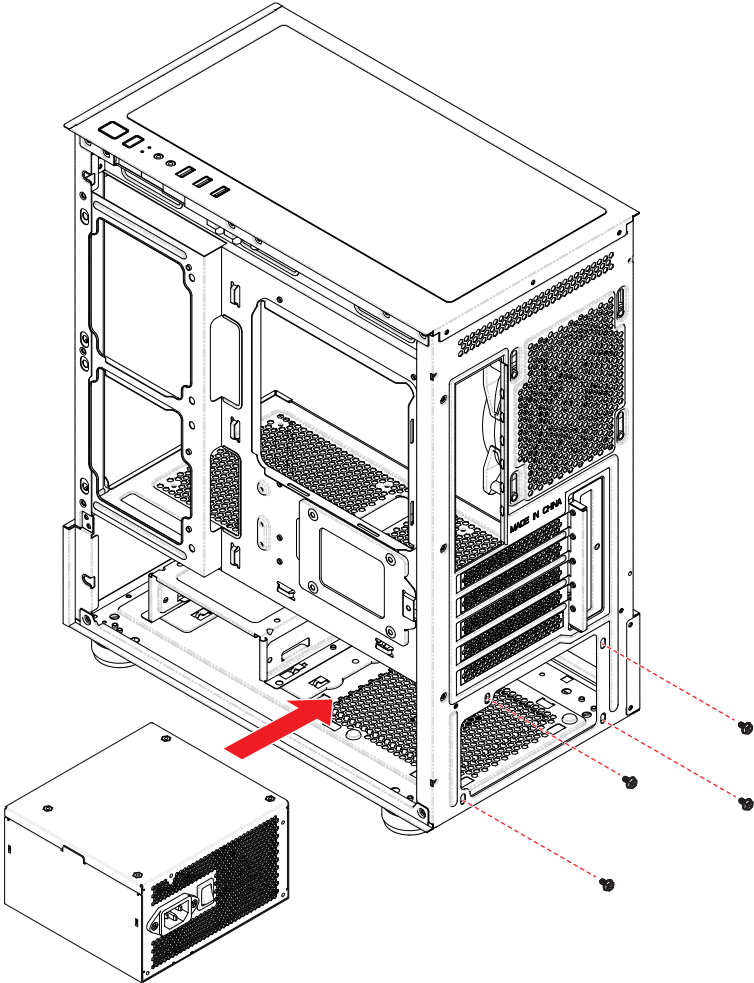
# Graphics Card Installation



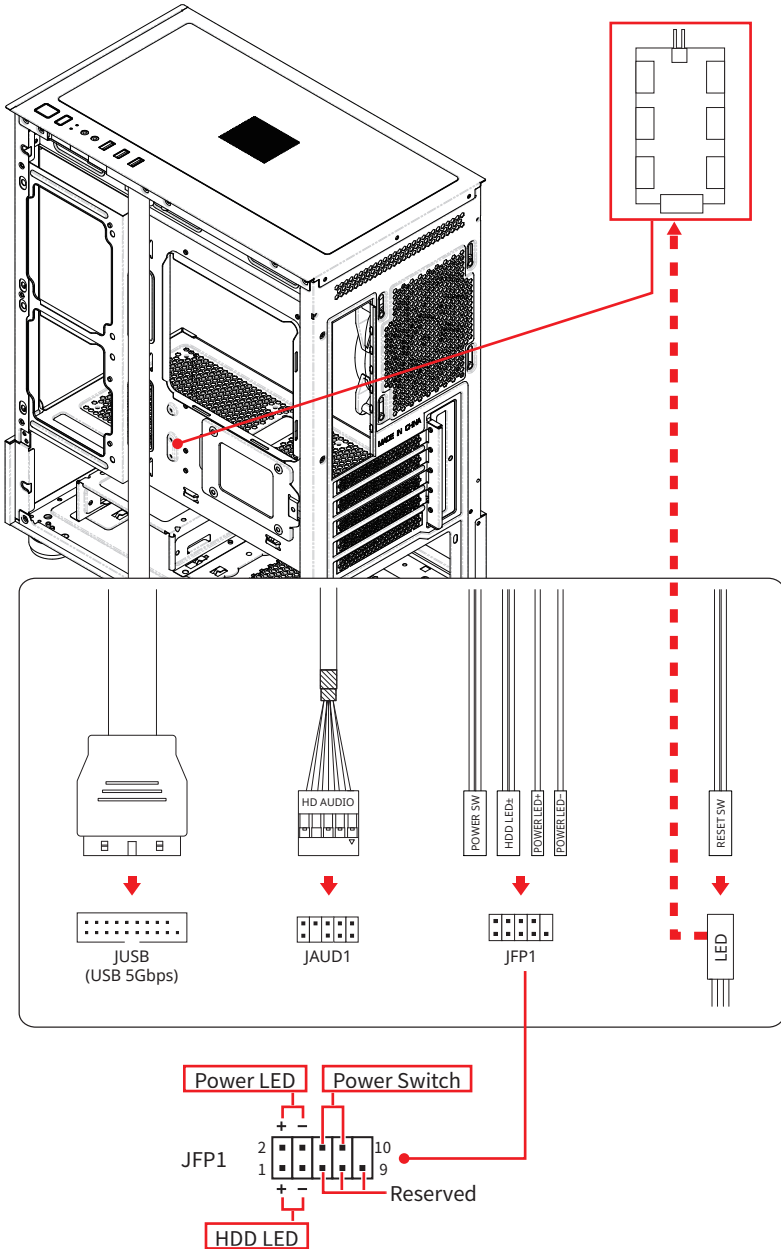
# HDD & SSD Installation



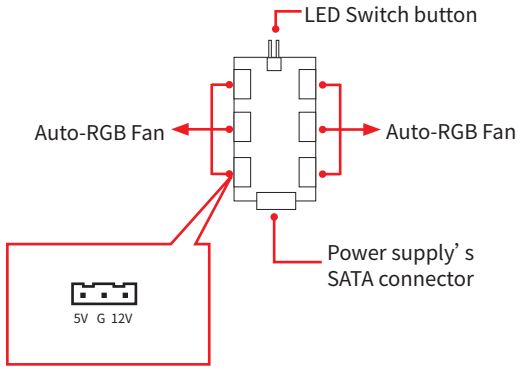
# PSU Installation



# Panel I/O Connection



# Control Board Connection



## IMPORTANT

- The control board's fan header is a special specification and is not compatible with standard ARGB and RGB fans.
- Please always turn off the power supply and unplug the power cord from the power outlet before installing or removing the Auto-RGB fan.
- Please ensure all cables are securely connected before powering on.

## LED Switch Button Function

- Single press for RGB rainbow effect.
- Press again to turn off LED lighting.

# General Information

## Copyright and Trademarks Notice



Copyright © Micro-Star Int'l Co., Ltd. All rights reserved.

The MSI logo used is a registered trademark of Micro-Star Int'l Co., Ltd. All other marks and names mentioned may be trademarks of their respective owners. No warranty as to accuracy or completeness is expressed or implied. MSI reserves the right to make changes to this document without prior notice.

All text, images, illustrations, and other content in this manual are the property of MSI. No part of this manual may be reproduced, distributed, or used in any form without the written permission of MSI.

## Revision History

- Version 2.0, 2026/05, first release.

