



MAG Series

PC Case

MAG PANO 110R PZ
MAG PANO 110R PZ WHITE

User Guide

Contents

Specifications	3
Accessories	5
Case Features	6
Side and Front View	7
I/O and Buttons	8
Side Panel Removal	9
Front Panel Removal	10
Lower Front Panel Removal.....	11
Motherboard Installation	12
Graphics Card Installation.....	13
HDD & SSD Installation	14
PSU Installation.....	15
Panel I/O Connection.....	16
Control Board Connection	17
General Information	19

Specifications

Basic Information

Case Type	Mid Tower
Dimensions (DxWxH)	420 x 225 x 485mm
Supported Motherboard Sizes	ATX*, Micro-ATX*, Mini-ITX * Supports ATX and Micro-ATX back-connect motherboards
Expansion Slots	7 slots

Cooling Fan Support

Top	3 x 120mm or 2 x 140mm
Rear	1 x 120mm Pre-installed 1 x 120mm ARGB fan
Side	3 x 120mm or 2 x 140mm Pre-installed 3 x 120mm ARGB reverse blade fans
Bottom	3 x 120mm (on the PSU shroud)

Drive Bays

2.5" SSD	4
3.5" HDD	4

I/O Ports and Buttons

USB Ports	1 x USB 20Gbps Type-C 2 x USB 5Gbps Type-A
Audio Ports	1 x Audio/Microphone combo jack (4-pole)
Buttons	1 x LED switch button 1 x Power button

Chassis Clearances







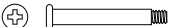



Maximum CPU Cooler Height	160 mm
Maximum GPU Length	400 mm
Top Radiator Support	120 / 140 / 240 / 280 / 360 mm* * Motherboard VRM Heatsink height < 40mm if Top Radiator + Fan thickness > 55mm.

Rear Radiator Support	120 mm
PSU Support	200 mm
Cable Routing Space (Behind Motherboard)	35mm

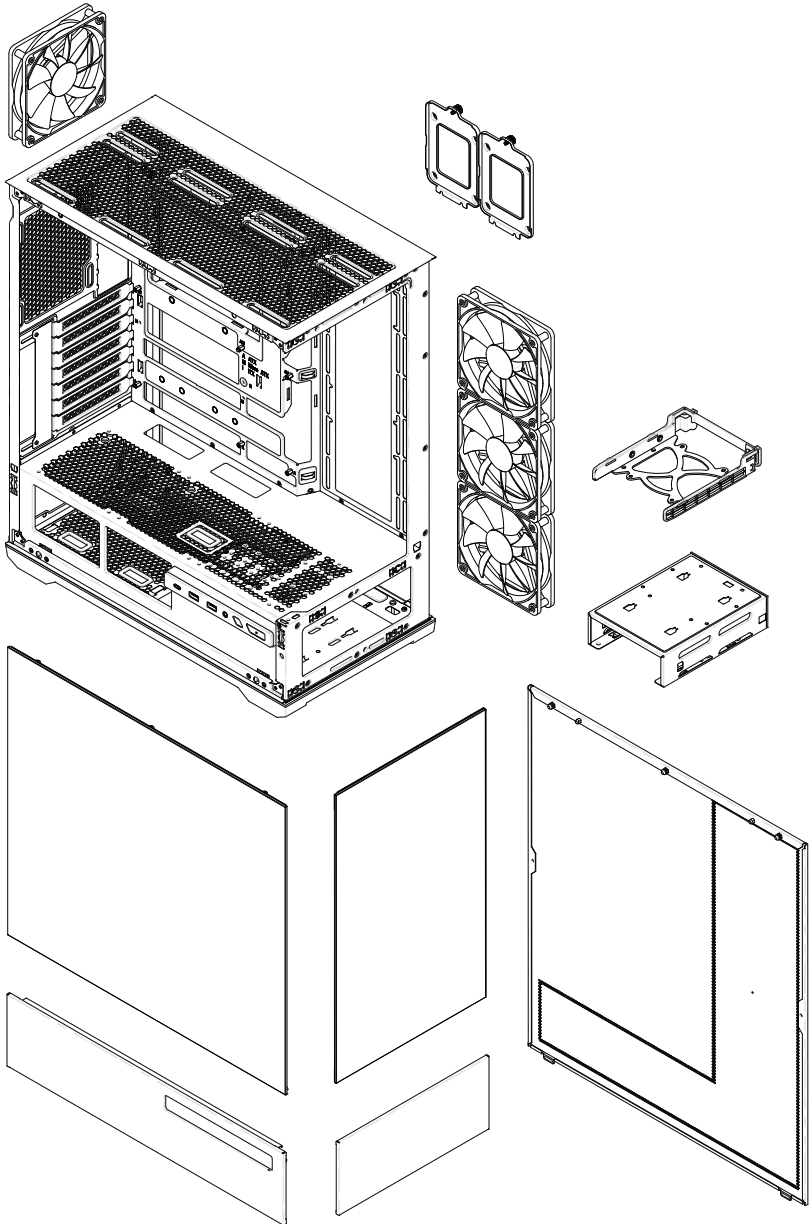
Materials

Metal Specification	SPCC 0.5 mm
Left Side Panel	3mm tempered glass
Dust Filter	Top: Magnet Bottom: Removal

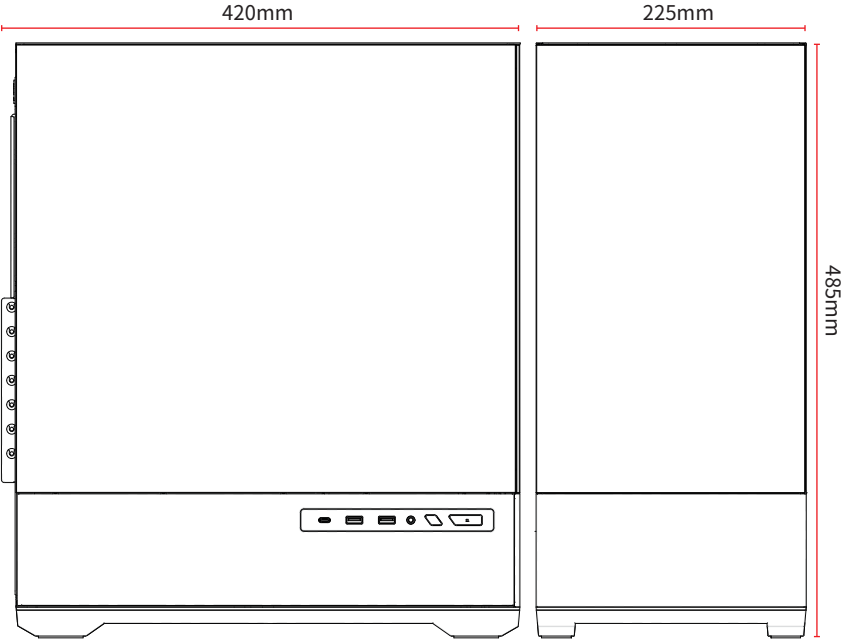
Accessories

Item	Name / Q' ty	Used for
	Hook-and-loop fastener x2	Cable management
	Cable ties x6	Cable management
	Screw #6-32 5mm x4	Securing PSU / PCIe Card
	Stand-off M3 6.5mm x1	Motherboard Stud
	Screw M3 5mm x17	Motherboard / SSD
	Screw #6-32 5mm x8	3.5" HDD
	Screw #6-32 28mm x12	Securing fans on the PSU shroud
	Stand-off Mounting Tool x 1	Securing stand-off
	Spare U Clip T0.5 x2	Backup supplies
	Spare U Clip T1.0 x2	Backup supplies

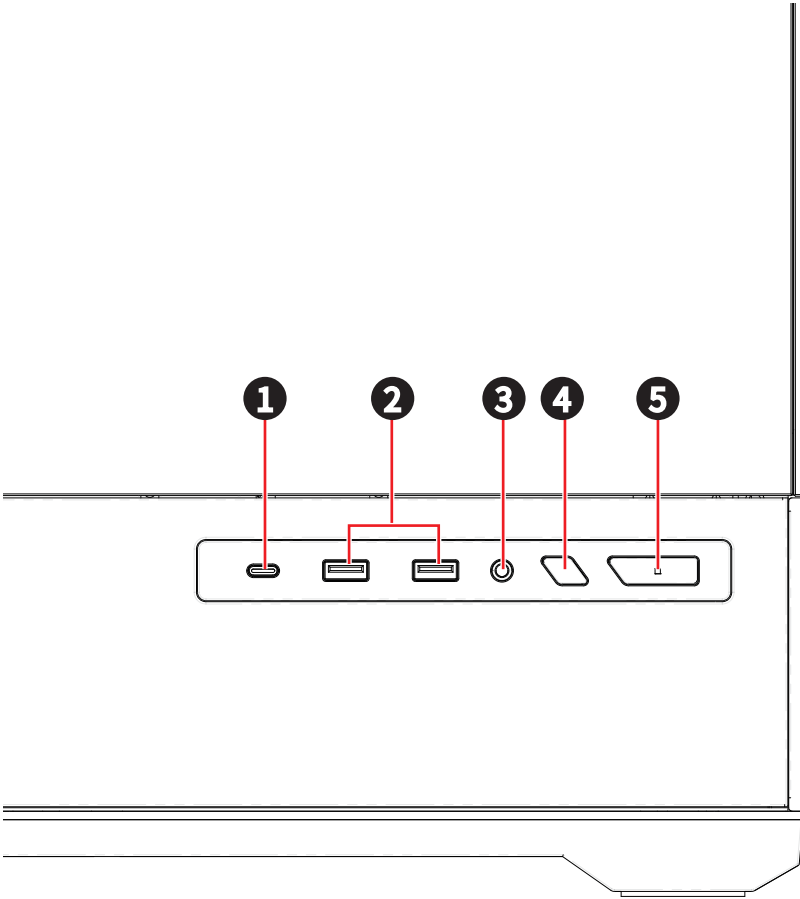
Case Features



Side and Front View

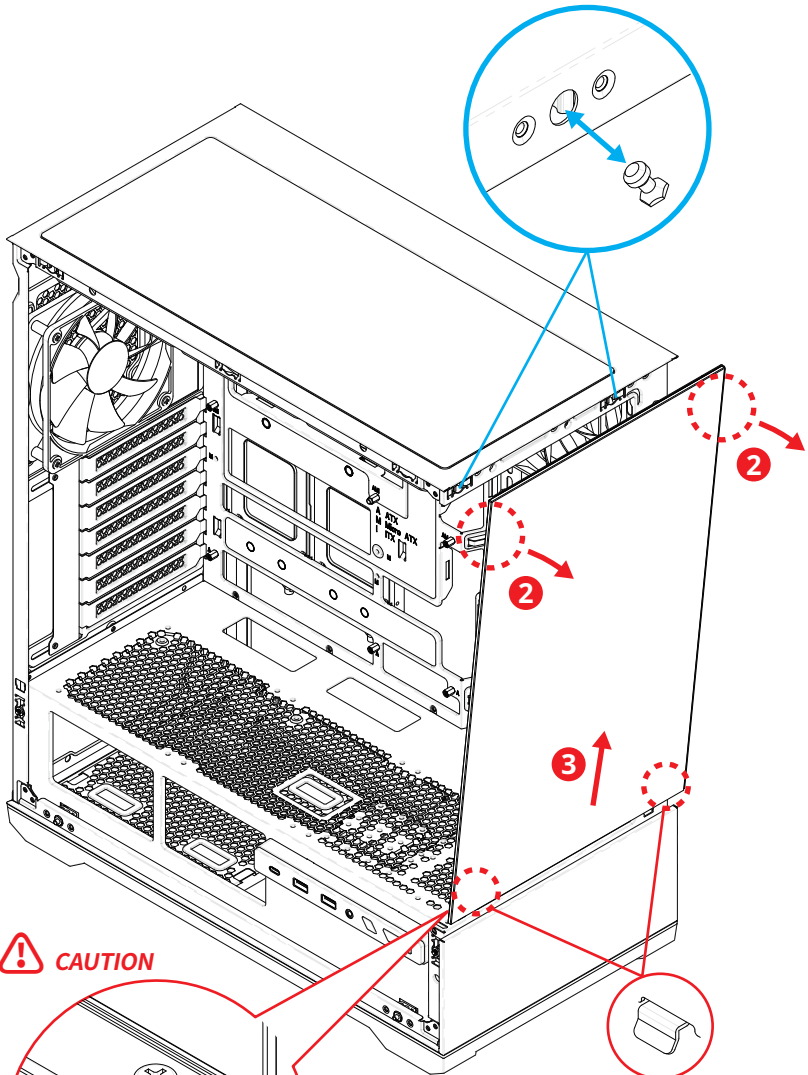


I/O and Buttons

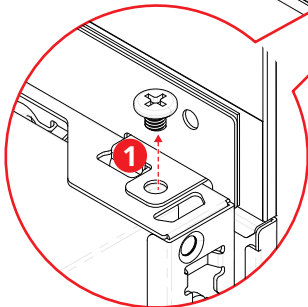


Item	Description
1	USB 20Gbps Type-C
2	USB 5Gbps Type-A
3	Audio/Microphone combo jack
4	LED switch button
5	Power button

Front Panel Removal

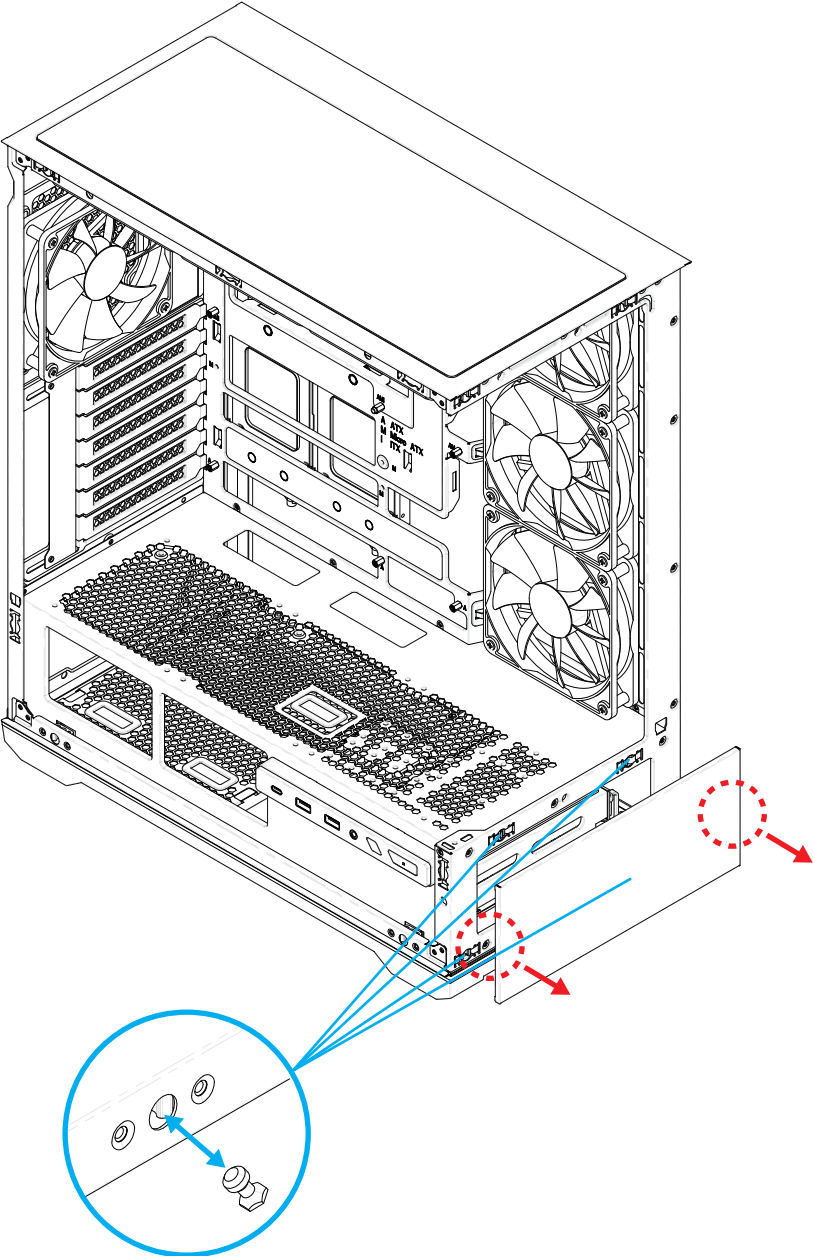


CAUTION

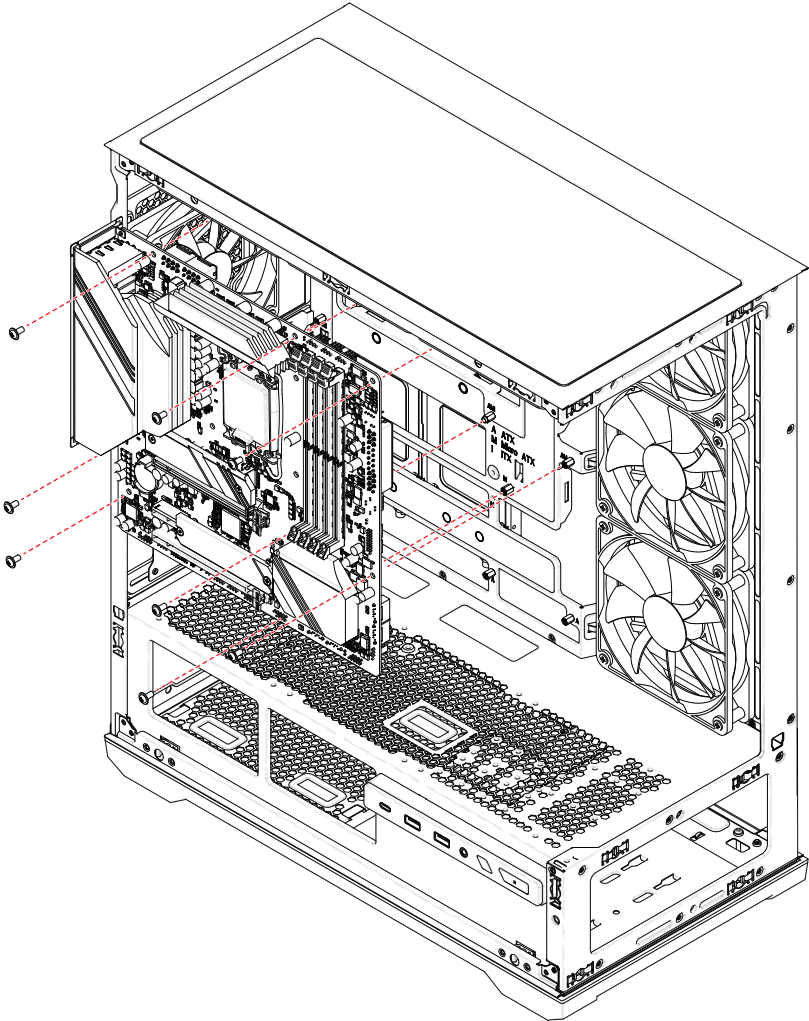


Notice
The bottom of the glass panel has hooks. When reinstalling the panel, make sure to secure the bottom first before closing the panel; otherwise, it may become deformed and fail to close properly.

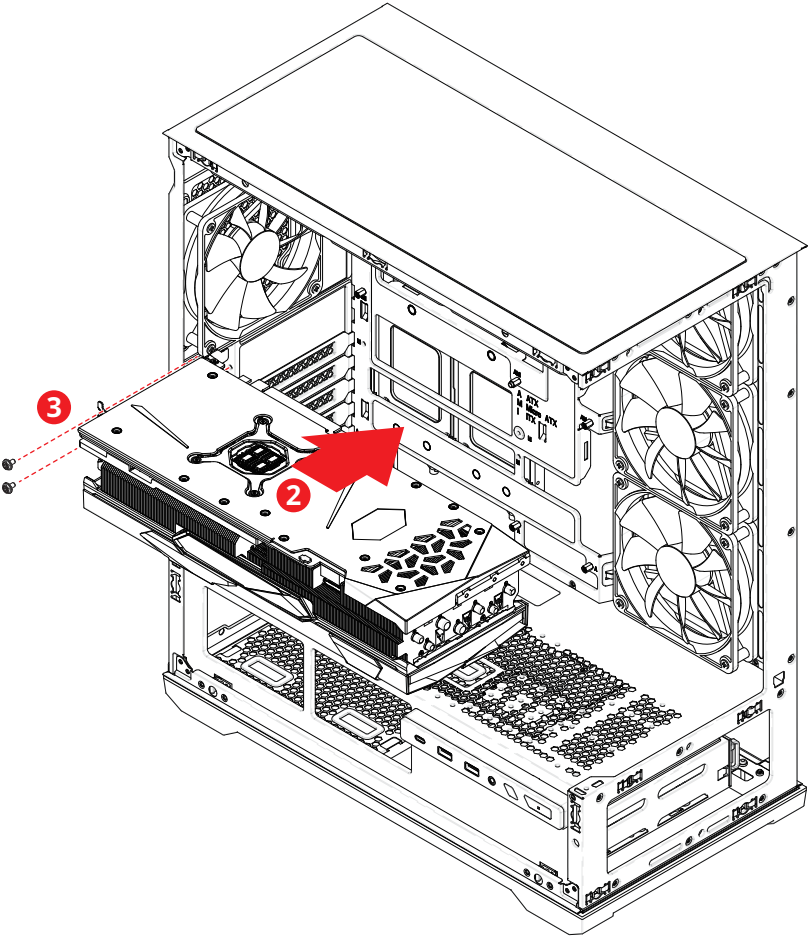
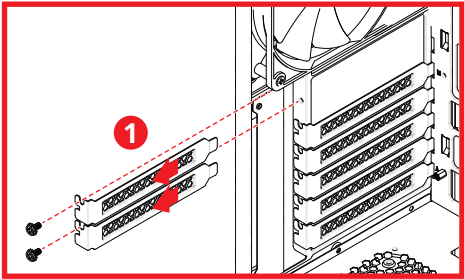
Lower Front Panel Removal



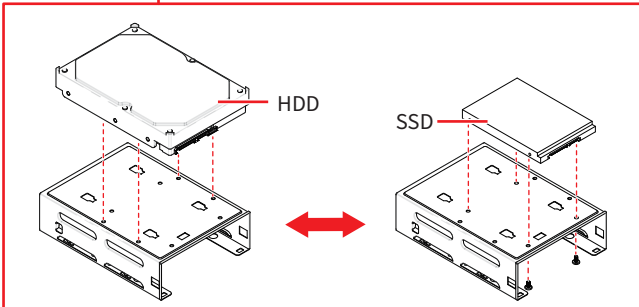
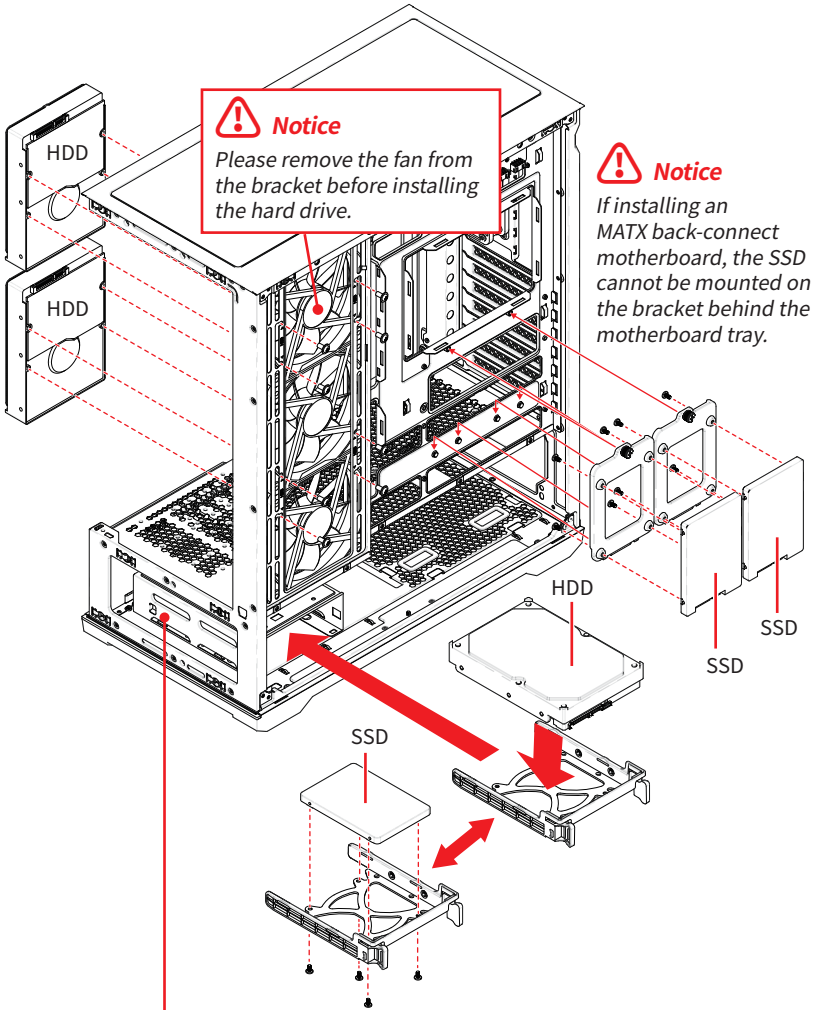
Motherboard Installation



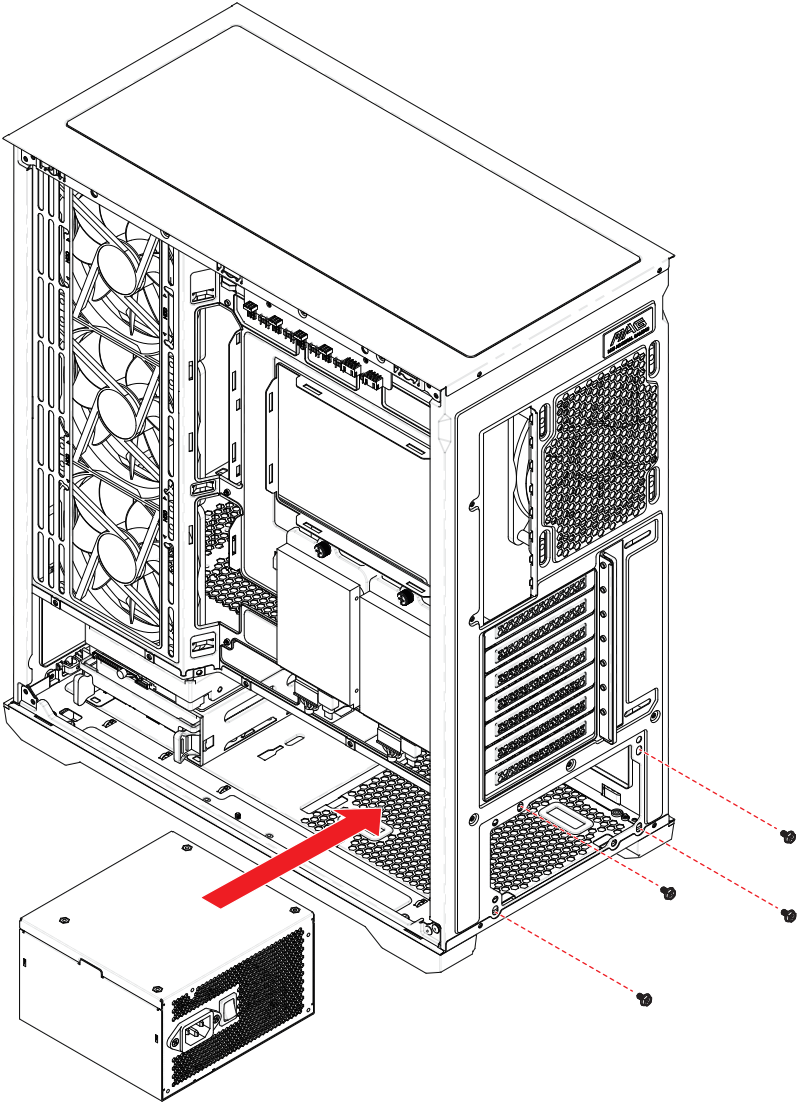
Graphics Card Installation



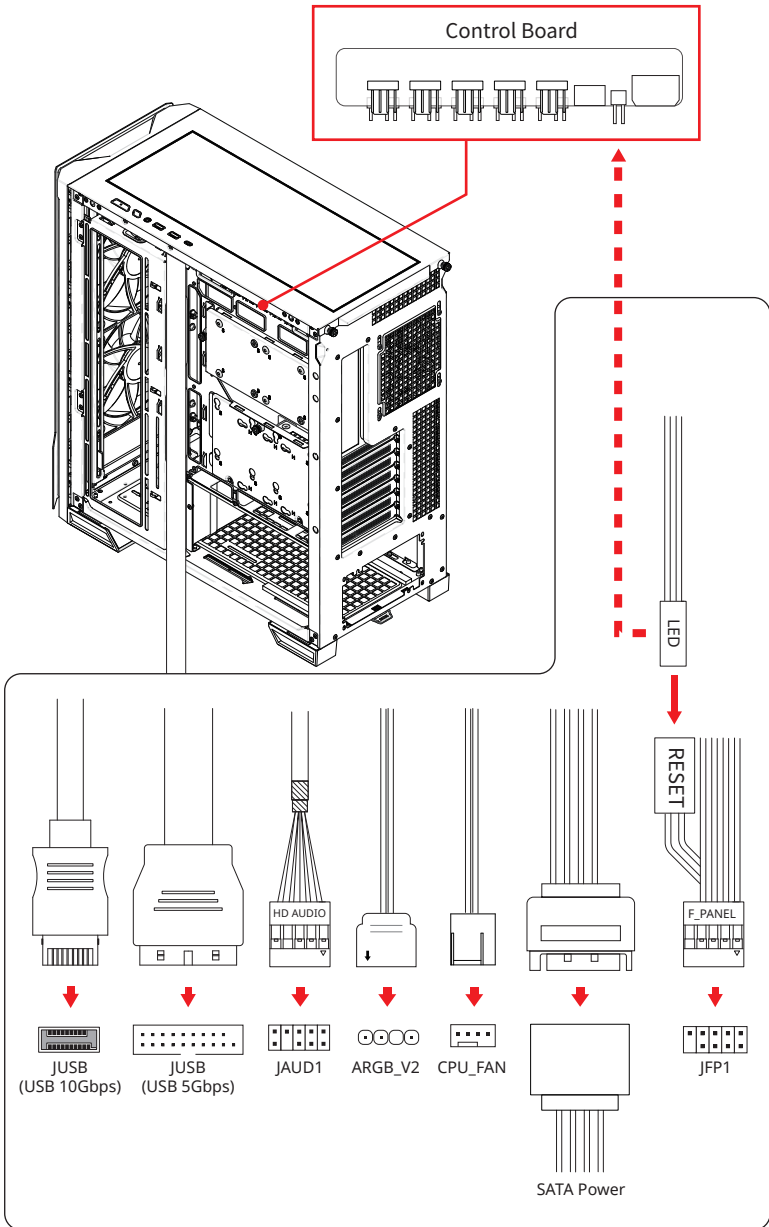
HDD & SSD Installation



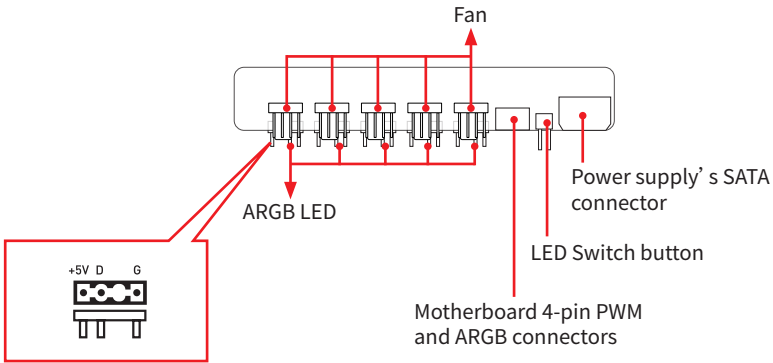
PSU Installation



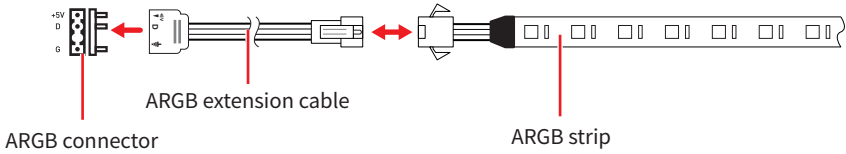
Panel I/O Connection



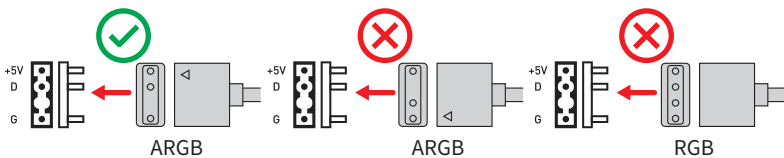
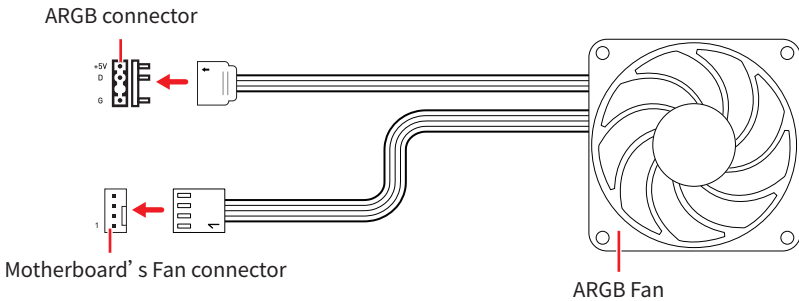
Control Board Connection



Addressable RGB LED Strip Connection



Addressable RGB LED Fan Connection





IMPORTANT

- Fan speed detection is only available via the Fan1 header.
- Please always turn off the power supply and unplug the power cord from the power outlet before installing or removing the ARGB LED Strip.
- Please ensure all cables are securely connected before powering on.
- Each port can support a maximum of 64 ARGB LEDs, with a total of no more than 128 LEDs.
- Exceeding these limits may cause ARGB LEDs to display abnormal colors, flicker, or be unable to change colors.

LED Switch Button Function

- Single press: Toggle LED effects.
- Long press (2s): Sync with the motherboard; press again (2s) to switch back to the controller.
- Long press (6s): LEDs flash white three times, then turn off (remains off after reboot). Press again to restore the previous state.

LED Effect Sequence

After pressing the LED Switch button, the LED effect sequence is as follows:

1	Solid red
2	Solid green
3	Solid blue
4	Solid yellow
5	Solid cyan
6	Solid purple
7	Solid orange
8	Solid white
9	Single-Color breathing (Red)
10	Single-Color breathing (Green)

11	Single-Color breathing (Blue)
12	Single-Color breathing (Yellow)
13	Single-Color breathing (Cyan)
14	Single-Color breathing (Purple)
15	Single-Color breathing (White)
16	Rainbow color breathing (Red, Green, Blue, Yellow, Cyan, Purple, White)
17	Gradient running
18	Rainbow running

General Information

Copyright and Trademarks Notice



Copyright © Micro-Star Int'l Co., Ltd. All rights reserved.

The MSI logo used is a registered trademark of Micro-Star Int'l Co., Ltd. All other marks and names mentioned may be trademarks of their respective owners. No warranty as to accuracy or completeness is expressed or implied. MSI reserves the right to make changes to this document without prior notice.

All text, images, illustrations, and other content in this manual are the property of MSI. No part of this manual may be reproduced, distributed, or used in any form without the written permission of MSI.

Revision History

- Version 1.0, 2025/03, First release.
- Version 1.1, 2026/02, Modified drive installation instructions.
- Version 1.2, 2026/03, Added top radiator thickness recommendations.

