



MAG Series

PC Case

MAG FORGE 330R AIRFLOW

MAG FORGE 340R AIRFLOW

User Guide

Contents

Specifications	3
Accessories	5
Case Features	6
Side and Front View	7
I/O and Buttons	8
Side Panel Removal	9
Front Bezel Removal.....	10
Motherboard Installation	11
Graphics Card Installation.....	12
SSD & HDD Installation	13
PSU Installation.....	14
Top Panel I/O Connection	15
General Information	16

Specifications

Basic Information

Product Name	MAG FORGE 330R/ 340R AIRFLOW
Case Type	Mid Tower
Supported Motherboard Sizes	ATX, Micro-ATX, Mini-ITX
Dimensions (DxWxH)	472.5 x 210 x 498 mm
Drive Bays	1 x 2.5" SSD 2 x Combo 3.5"/2.5"

I/O Ports and Buttons

USB Ports	2 x USB 5Gbps Type-A port
Audio Ports	1 x Audio jack 1 x Microphone jack
Buttons	1 x Power button 1 x LED switch button

Cooling Fan Support

Top	3 x 120mm or 2 x 140mm
Front	3 x 120mm or 2 x 140mm (Pre-installed: 3 x 120mm ARGB fans)
Rear	1 x 120mm (Pre-installed: 1 x 120mm ARGB fan)
Side Fans Support	2 x 120mm
Maximum GPU Length	390mm (Pre-installed front fan)
PSU Shroud	2 x 120mm

Expansion Slots

PCIe Slots	7 slots
-------------------	---------







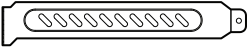
Chassis Clearances

Maximum CPU Cooler Height	160mm
Top Radiator Support	120 / 140 / 240 / 280 / 360 mm
Front Radiator Support	120 / 140 / 240 mm
PSU Support	160mm (with 3.5" HDD tray) 200mm (without 3.5" HDD tray)

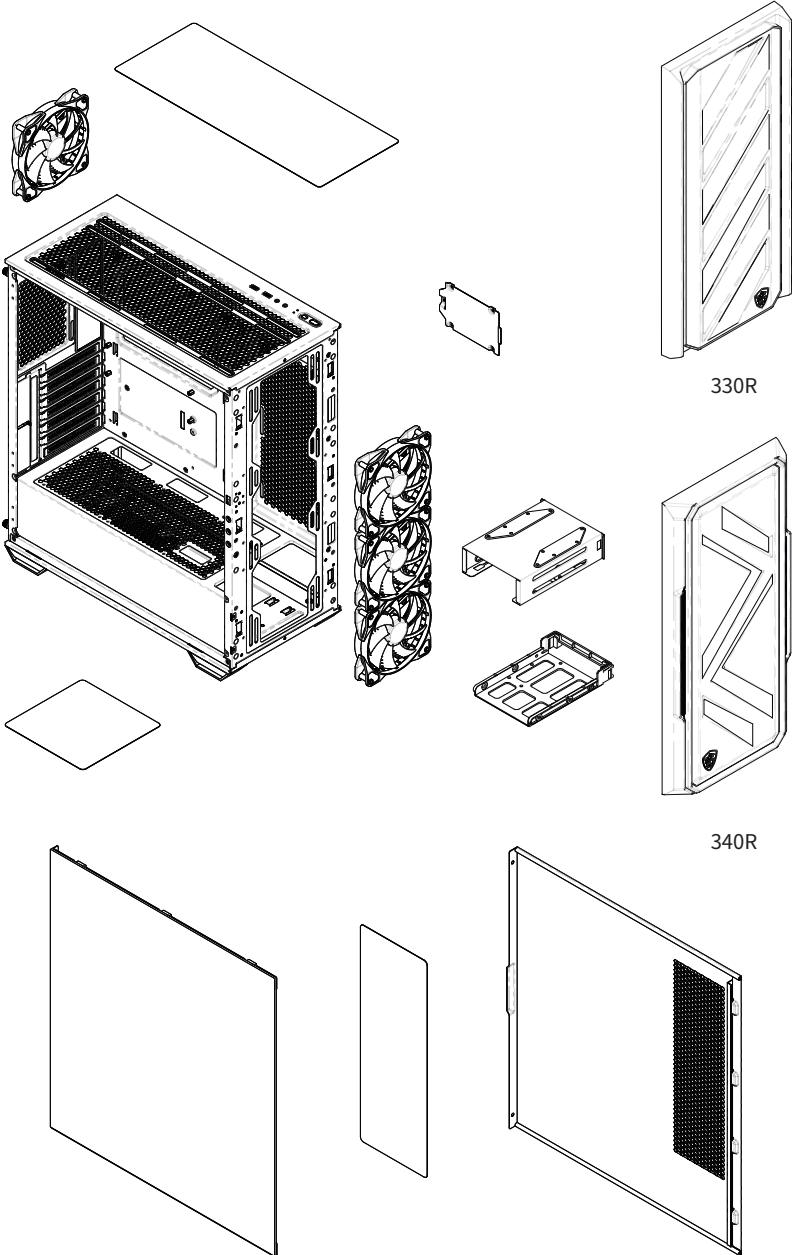
Materials

Metal Specification	SPCC 0.5
Front Bezel Material	Mesh + Plastic
Left Side Panel	4mm tempered glass
Dust Filter	Top: Magnetic filter Side: Magnetic filter Bottom: Plastic filter

Accessories

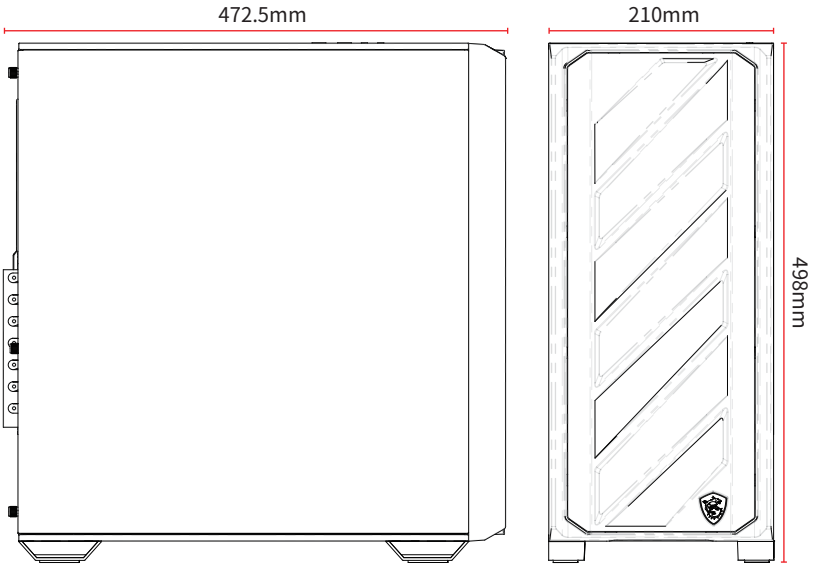
Item	Name / Q' ty	Used for
	Cable ties x5	Cable management
	Screw #6-32 10mm x2	Securing drive tray
	Stand-off #6-32 6.5mm x4	Motherboard Stud
	Screw M3 5mm x20	Motherboard / SSD
	Screw #6-32 6mm x6	Securing PSU / PCIe Card
	Screw #6-32 5mm x4	3.5" HDD
	PCIe slot cover x2	PCIe slot protection

Case Features

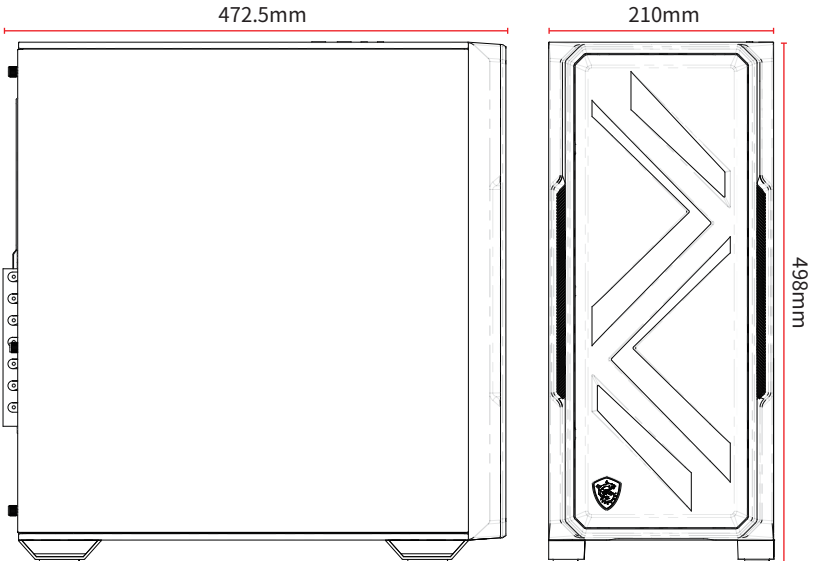


Side and Front View

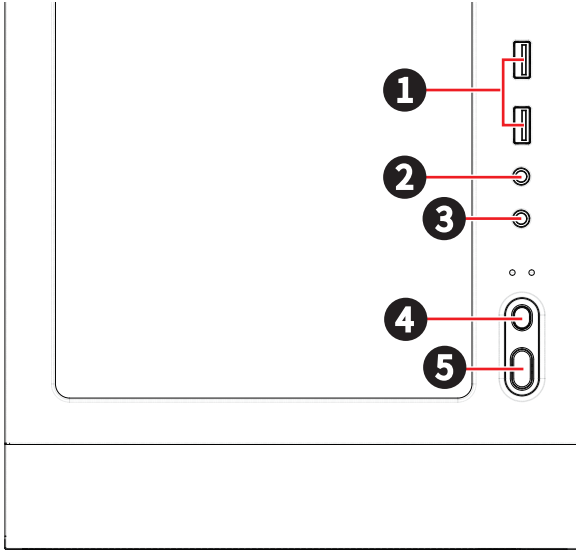
330R



340R

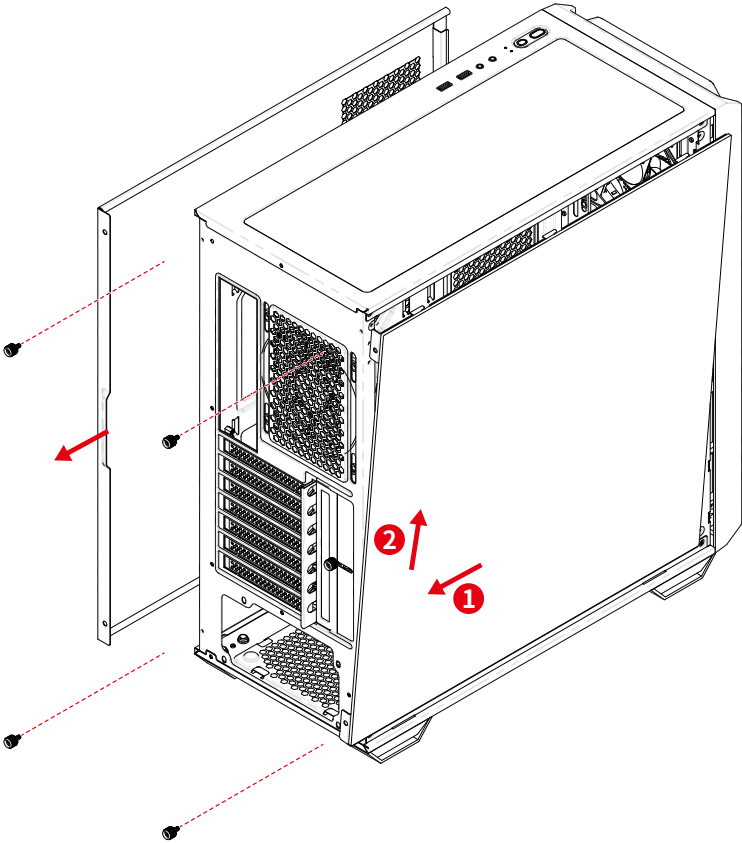


I/O and Buttons

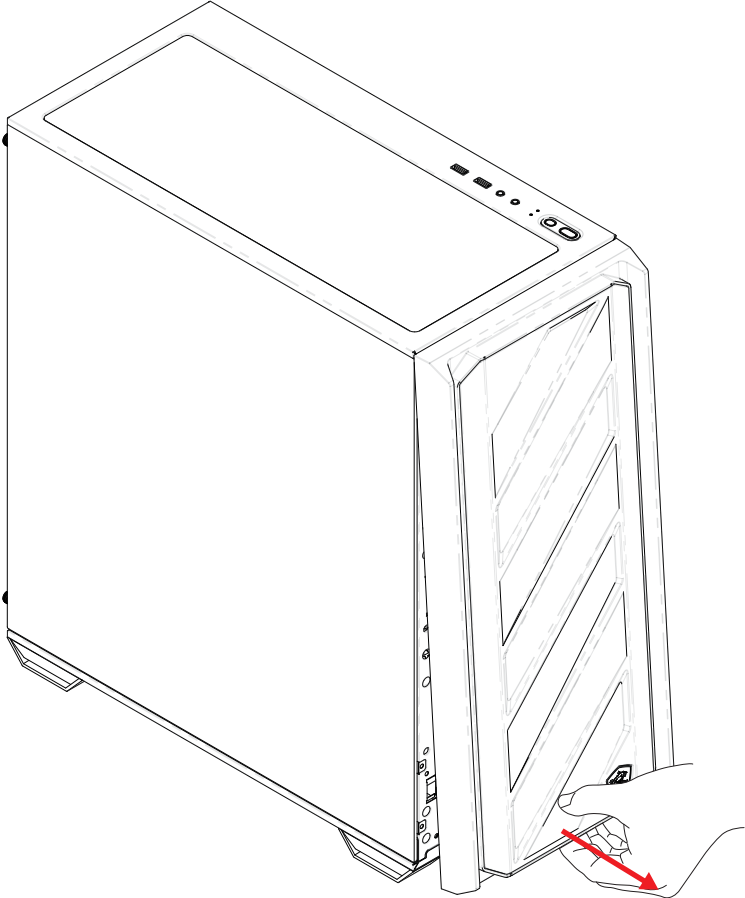


Item	Description
1	USB 5Gbps Type-A port
2	Microphone jack
3	Audio jack
4	Reset button
5	Power button

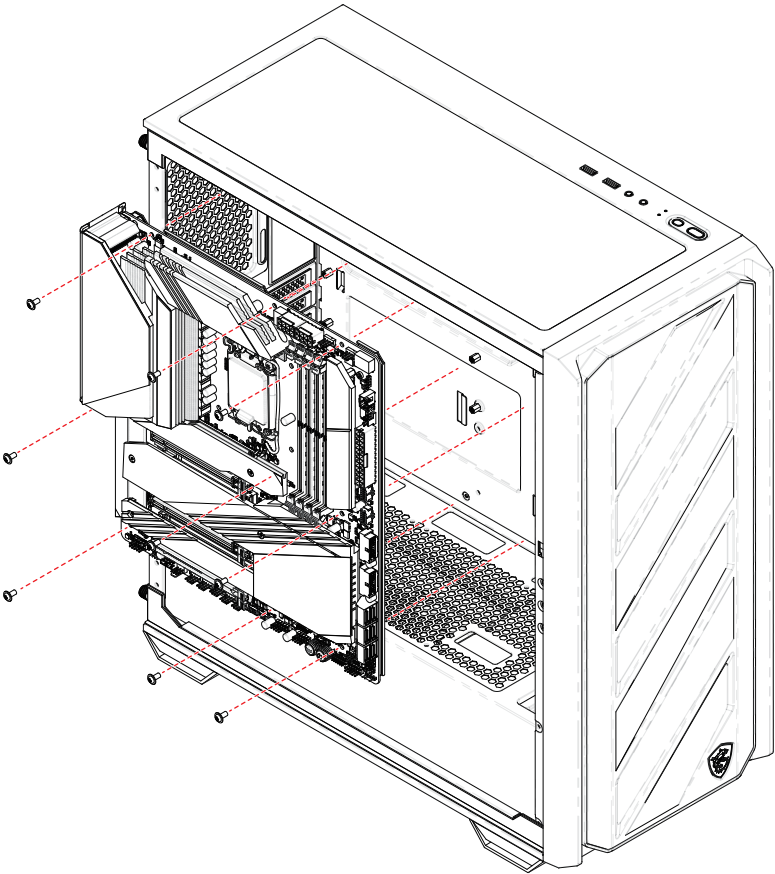
Side Panel Removal



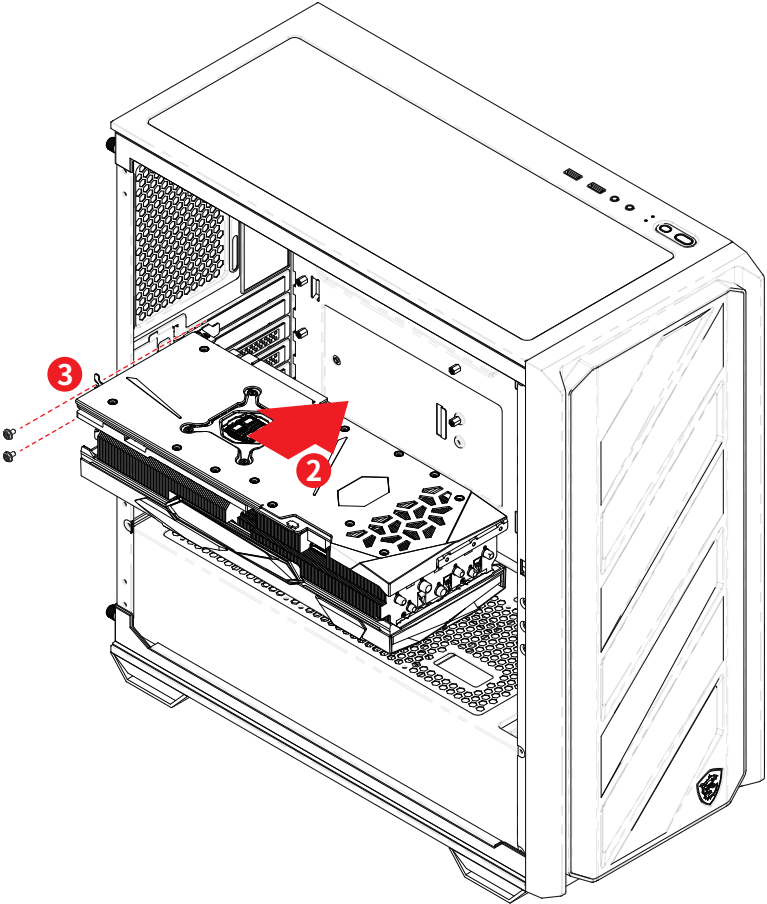
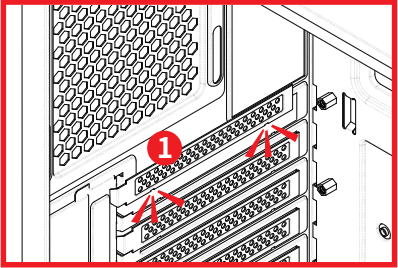
Front Bezel Removal



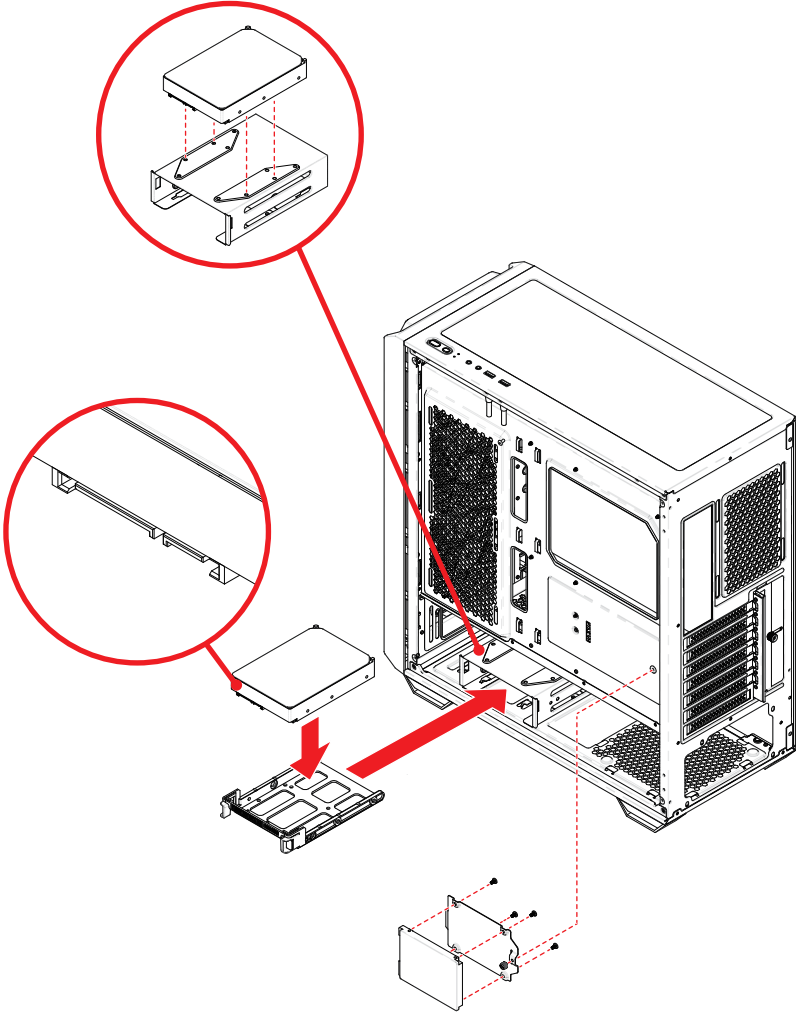
Motherboard Installation



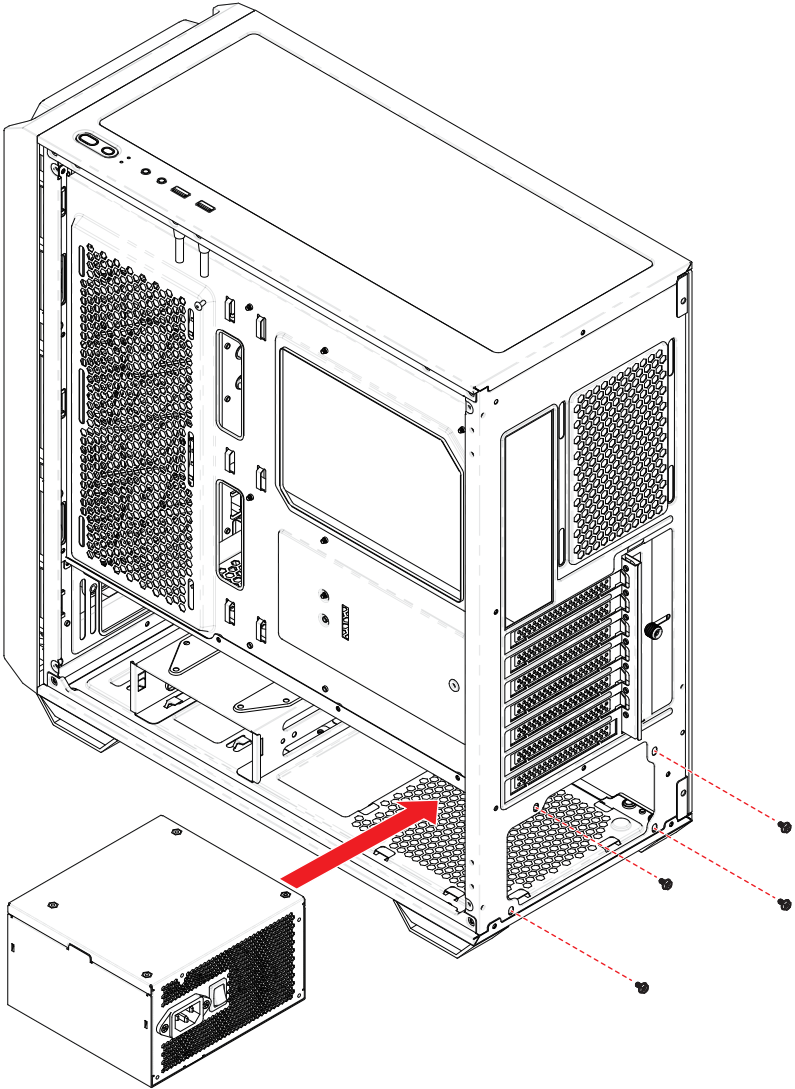
Graphics Card Installation



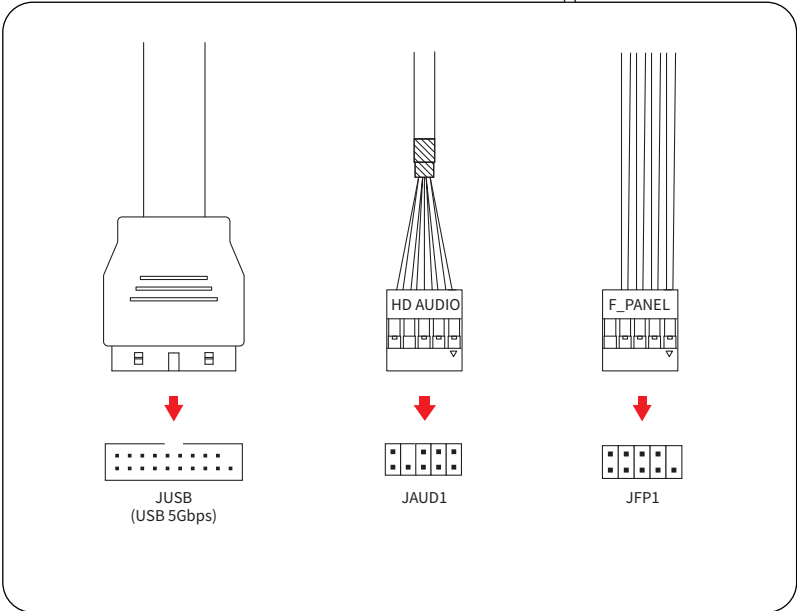
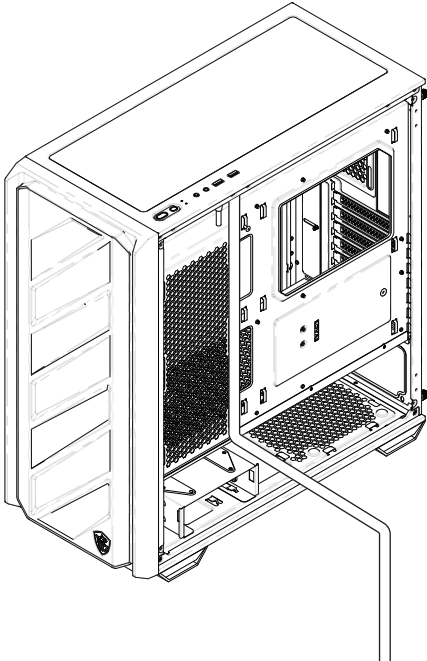
SSD & HDD Installation



PSU Installation



Top Panel I/O Connection



General Information

Copyright and Trademarks Notice

Copyright © Micro-Star Int'l Co., Ltd. All rights reserved.

The MSI logo used is a registered trademark of Micro-Star Int'l Co., Ltd. All other marks and names mentioned may be trademarks of their respective owners. No warranty as to accuracy or completeness is expressed or implied. MSI reserves the right to make changes to this document without prior notice.

All text, images, illustrations, and other content in this manual are the property of MSI. No part of this manual may be reproduced, distributed, or used in any form without the written permission of MSI.

Revision History

- Version 2.0, 2025/10, First release.

